

DAMPER VALVES



Specification (standard)

1. Standard material of construction

Body : Mild steel, stainless steel
 Disc : Mild steel, stainless steel
 Stem : Mild steel, stainless steel
 Stopper : Mild steel, stainless steel

2. Body and disc

Material are available in wide choice of steel or cast alloy options depending on customer's request.

3. Available size : 50mm ~ 1000mm

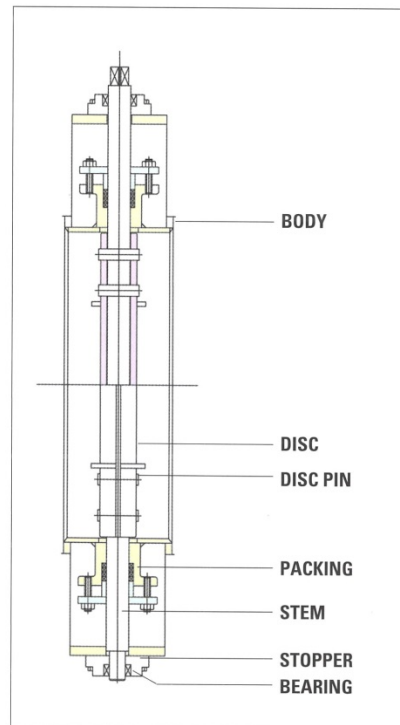
4. Working temperature : 0° C ~ 500° C

5. Flange rating

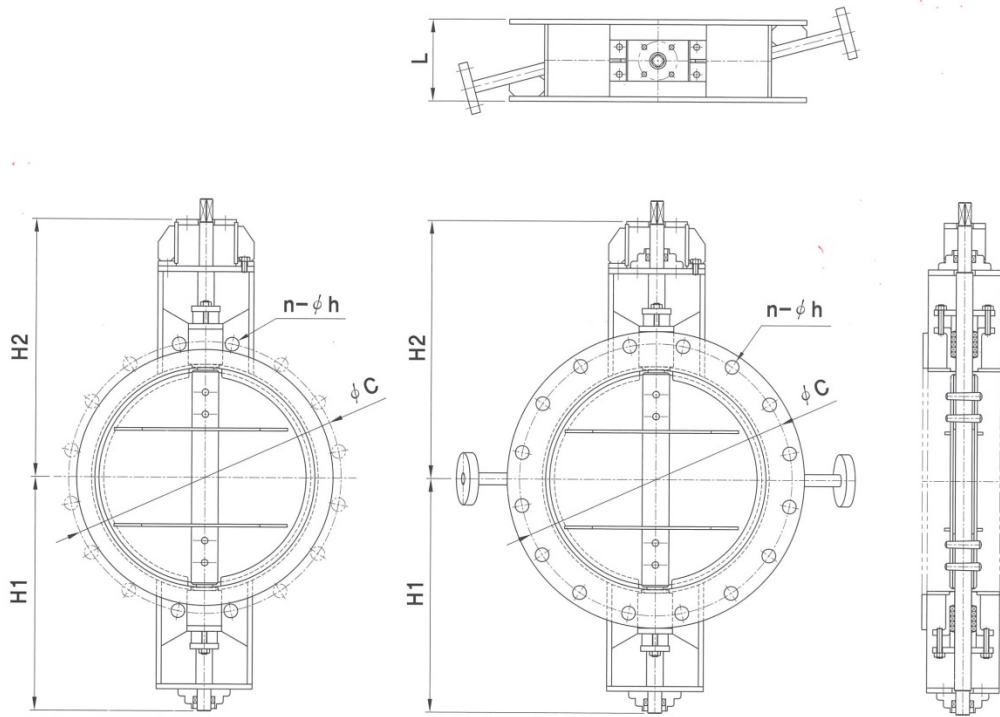
KS 5K/10K, JIS 5K/10K
 ANSI 125LB, 150LB, DIN-PN10, PN16
 Other flange available upon request

6. Operator

Manual lever operation
 Manual worm gear operation
 Single or double acting pneumatic actuator operation
 Hydraulic actuator operation
 Electric motor actuator operation



DAMPER VALVES



DIMENSIONS

unit : mm

SIZE		L	H1	H2	FLANGE JIS(5K)	
inch	mm				ϕC	N - ϕh
3"	80	70	135	190	145	4- $\phi 19$
4"	100	70	150	200	165	8- $\phi 19$
5"	125	80	170	220	200	8- $\phi 19$
6"	150	100	190	245	230	8- $\phi 19$
8"	200	100	220	265	280	8- $\phi 23$
10"	250	140	265	300	245	12- $\phi 23$
12"	300	140	323	370	390	12- $\phi 23$
14"	350	140	360	456	435	12- $\phi 25$
16"	400	150	425	470	495	16- $\phi 25$
18"	450	150	450	506	555	16- $\phi 25$
20"	500	150	480	536	605	20- $\phi 25$
22"	550	160	530	603	665	20- $\phi 27$
24"	600	160	535	643	715	20- $\phi 27$
26"	650	160	580	653	770	24- $\phi 27$
28"	700	160	605	680	820	24- $\phi 27$
30"	750	160	630	703	880	24- $\phi 33$
32"	800	180	660	745	930	24- $\phi 33$
36"	900	180	685	790	1030	24- $\phi 33$
40"	1000	200	710	835	1130	28- $\phi 33$