



**WORLD VALVE CO.,LTD**

---

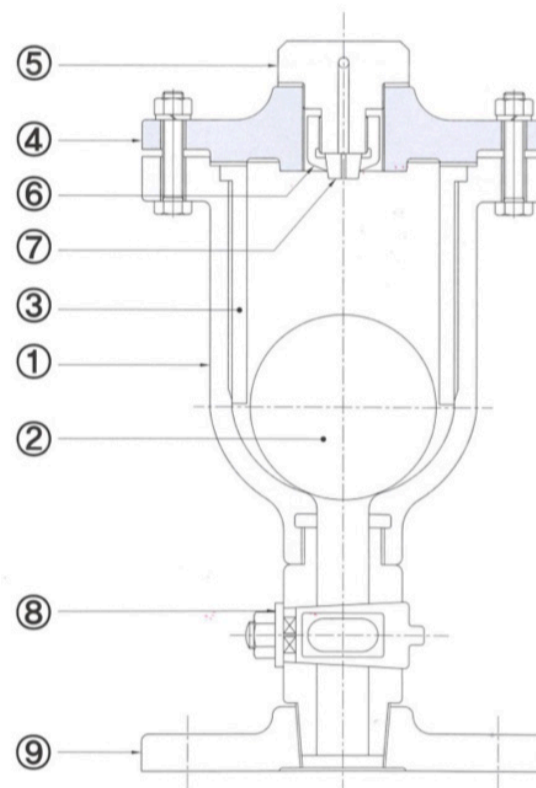
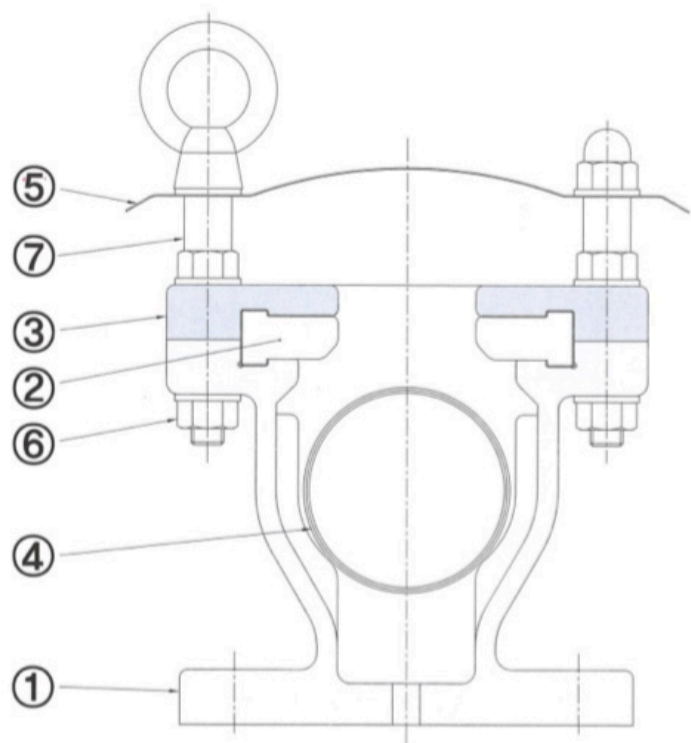
## **Air Vacuum Relief Valves**



**Product Information**

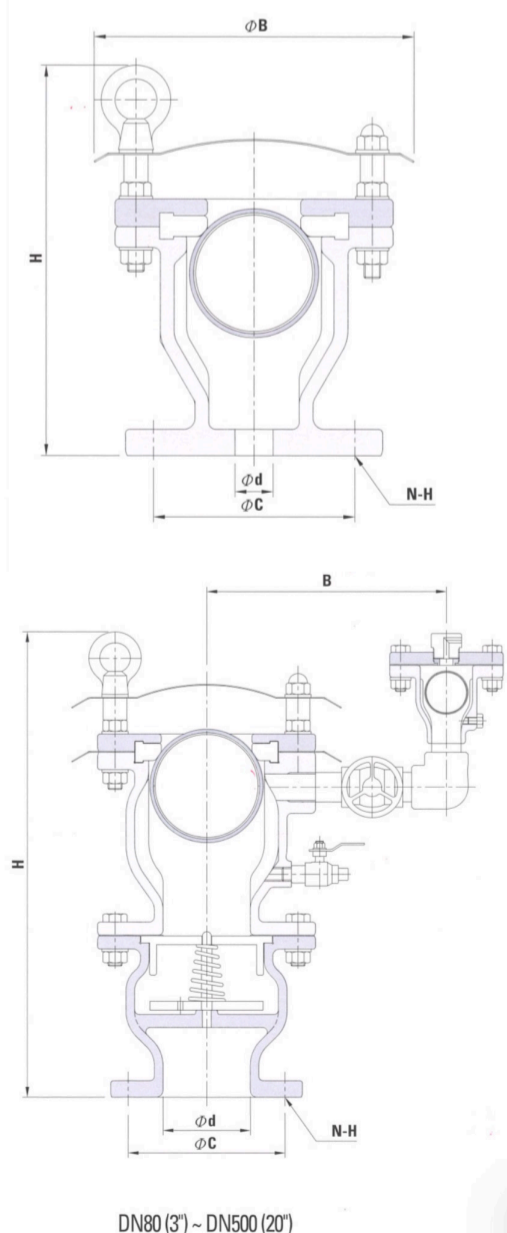


# Single Orifice Air Vacuum Relief Valve



Materials		
No.	Part Name	Material
1.	Body	Ductile Iron, Cast Iron, Cast Steel, AL-Bronze
2.	Seat	EPDM, NBR, VITON
3.	Cover	Ductile Iron, Cast Iron, Cast Steel, AL-Bronze
4.	Float	Stainless Steel
5.	Top Cover	Stainless Steel
6.	Bolt, Nut	Stainless Steel
7.	Distance Pipe	Stainless Steel

Materials		
No.	Part Name	Material
1.	Body	Ductile Iron, Cast Iron, Cast Steel, AL-Bronze
2.	Float	Stainless Steel
3.	Guide	Plastic
4.	Cover	Ductile Iron, Cast Iron, Cast Steel, AL-Bronze
5.	Cap	Stainless Steel
6.	Adjust Screw	Stainless Steel
7.	Cone Seat	EPDM, NBR, VITON
8.	Plug	Bronze, Stainless Steel
9.	Flange	Ductile Iron, Cast Iron, Cast Steel, AL-Bronze

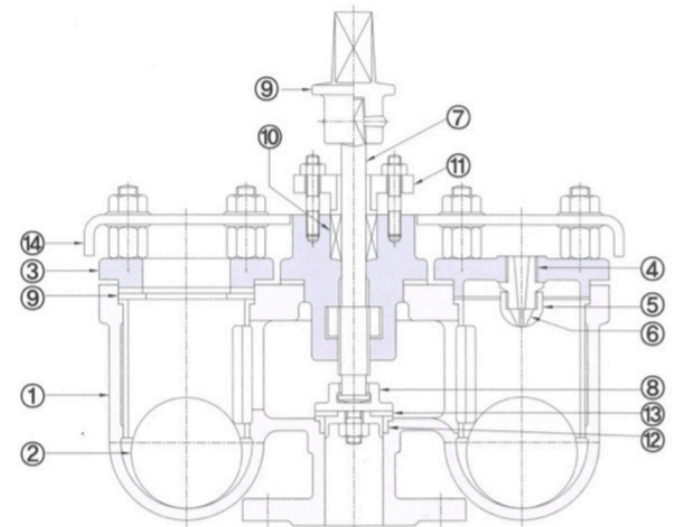
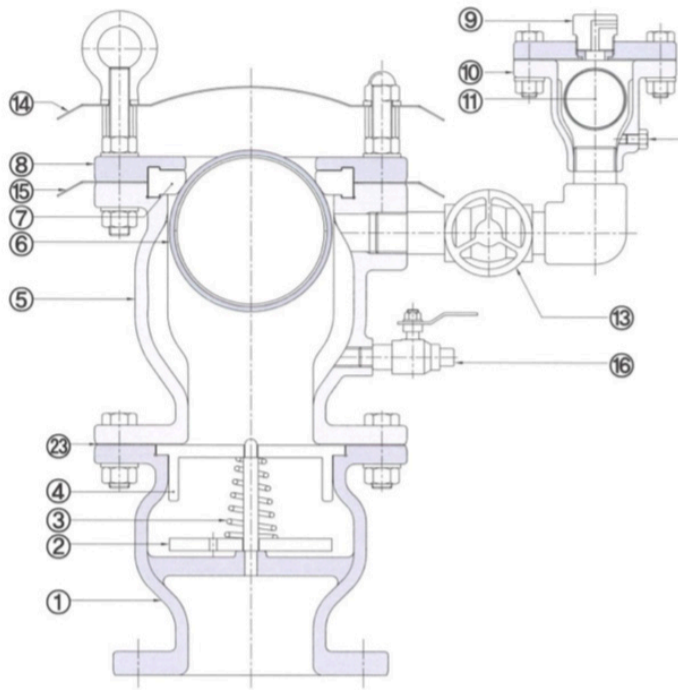


Dimensions							
Size	ød	H	øB	B	Flange (ISO 7005-2 PN10)		
					øC	N	H
50A	10	255	205	-	125	4	M16
65A	15	285	230	-	145	4	M16
80A	80	450	-	230	160	8	M16
100A	100	535	-	275	180	8	M16
125A	125	610	-	320	210	8	M16
150A	150	675	-	360	240	8	M20
200A	200	860	-	390	295	8	M20
250A	250	1025	-	420	350	12	M20
300A	300	1295	-	485	400	12	M20
350A	350	1350	-	535	460	16	M20
400A	400	1410	-	610	515	16	M24
450A	450	1760	-	700	565	20	M24
500A	500	2085	-	800	620	20	M24

DN80 (3") ~ DN500 (20")



# Double Orifice Air Vacuum Relief Valve



Materials		
No.	Part Name	Material
1.	Surge Check Valve Body	Ductile Iron, Cast Iron, Cast Steel, AL-Bronze
2.	Disc	Bronze, Stainless Steel
3.	Spring	Monel, Stainless Steel
4.	Seat	Bronze, Stainless Steel
5.	Air Vacuum Valve Body	Ductile Iron, Cast Iron, Cast Steel, AL-Bronze
6.	Ball	Stainless Steel
7.	Seat Gasket	EPDM, NBR, VITON
8.	Cover	Ductile Iron, Cast Iron, Cast Steel, AL-Bronze
9.	Cap	Stainless Steel
10.	Air Release Valve Body	Ductile Iron, Cast Iron, Cast Steel, AL-Bronze
11.	Ball	Stainless Steel
12.	Drain Plug	Bronze, Stainless Steel
13.	Isolating Valve	Bronze, Stainless Steel
14.	Top Cover	Stainless Steel
15.	Drip Pan	Stainless Steel
16.	Ball Valve	Bronze Stainless Steel

Materials		
No.	Part Name	Material
1.	Body	Ductile Iron, Cast Iron, Cast Steel, AL-Bronze
2.	Float Ball	Stainless Steel
3.	Cover	Ductile Iron, Cast Iron, Cast Steel, AL-Bronze
4.	Seat Support	Bronze, Stainless Steel
5.	Control Screw	Stainless Steel
6.	Cone Seat	EPDM, NBR, VITON
7.	Shaft	Stainless Steel
8.	Disc	Bronze, Stainless Steel
9.	Cap	Ductile Steel
10.	Packing	EPDM, NBR, VITON
11.	Packing Gland	Ductile Iron
12.	Body Seat	Bronze, Stainless Steel
13.	Disc Seat	EPDM, NBR, VITON
14.	Cover	Stainless Steel

Dimensions							
Size	ød	H	øB	B	Flange (ISO 7005-2 PN10)		
					øC	N	H
15A	15	288	-	-	65	4	M12
20A	20	300	-	-	75	4	M12
25A	25	330	-	-	85	4	M12
50A	50	435	450	145	125	4	M16
80A	80	450	485	157	160	8	M16
100A	100	520	530	173	180	8	M16
150A	150	600	650	220	240	8	M20

