



WORLD VALVE CO.,LTD

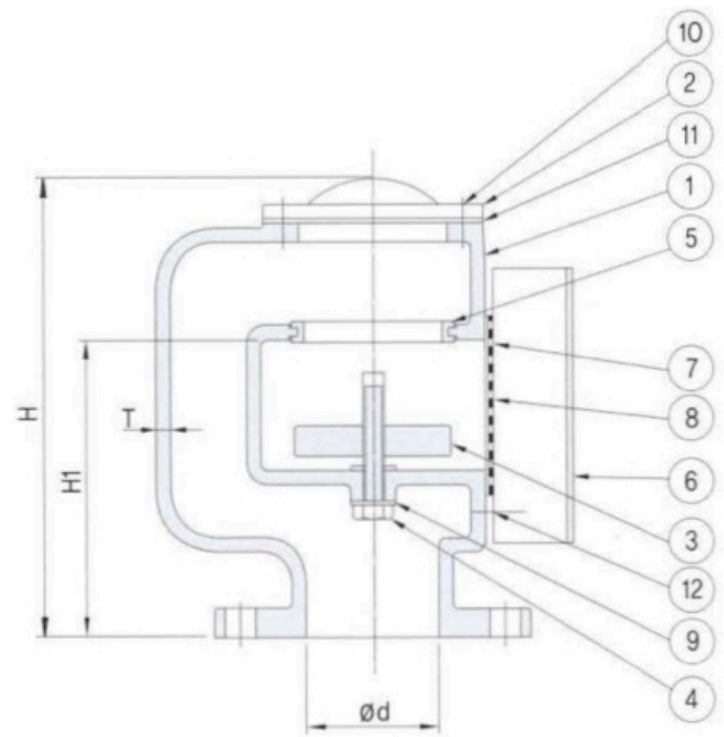
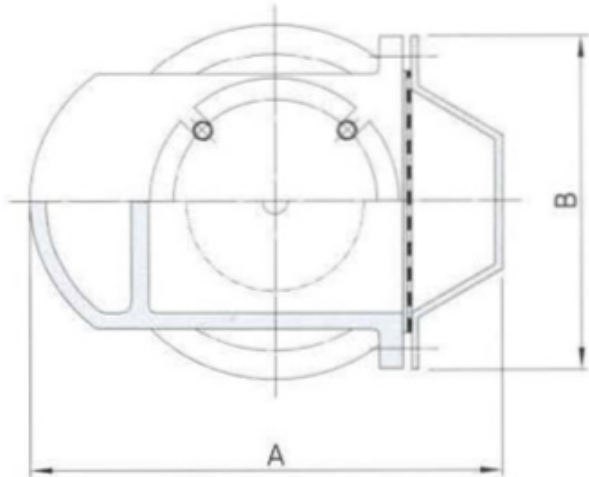
Air Vent Heads



Product Information



Air Vent Head (Disc A Type)

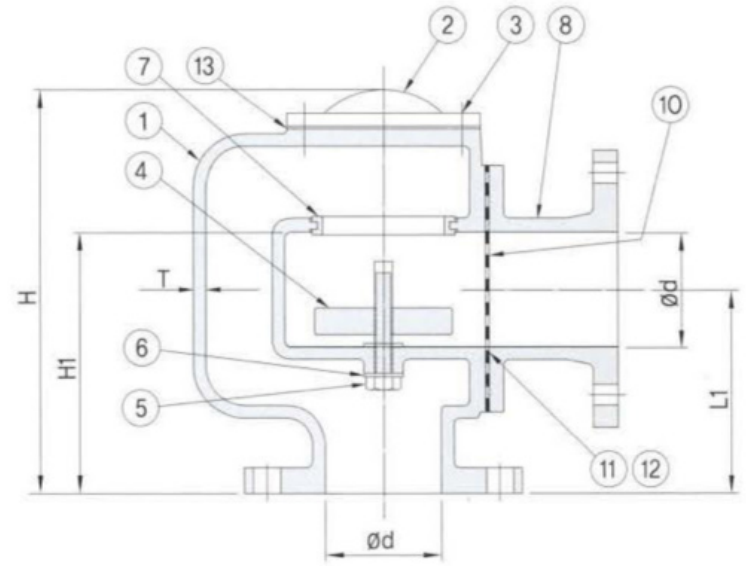
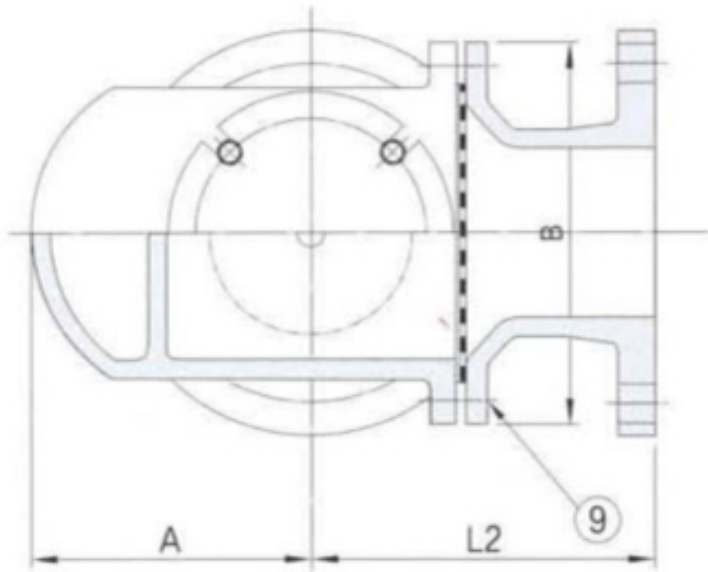


Materials		
No.	Part Name	Material
1.	Body	FCD 450
2.	Top Cover	FCD 450
3.	Disc	SUS 304
4.	Guide Bar	SUS 304
5.	Seat Packing	NBR
6.	Screen Cover	SS 400
7.	Wire Net	SUS 304
8.	Net Frame	SS 400
9.	Packing	NBR
10.	Hex, Bolt, and Washer	SUS 304
11.	Packing	NBR
12.	Hex. Bolt	SUS 304
13.		
14.		
15.		
16.		
17.		
18.		
19.		

Dimensions							
Size (mm)	ød	A	B	H	H1	T	Weight (approx. kg)
50A	50	177	135	197	127	7	10.4
65A	65	203	146	226	146	7	12.5
80A	80	231	156	266	176	7	14.4
100A	100	241	250	238	160	8	18
125A	125	266	288	266	180	8	28
150A	150	312	330	302	208	9	39
200A	200	390	432	382	269	9	74
250A	250	471	546	452	314	9	105
300A	300	550	616	530	367	10	146
350A	350	611	714	600	415	12	199
400A	400	663	749	670	475	12	276
450A	450	756	836	720	486	14	312



Air Vent Head (Disc B Type)

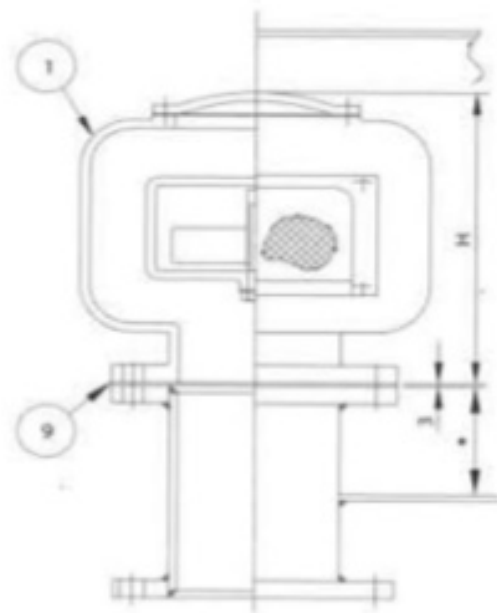
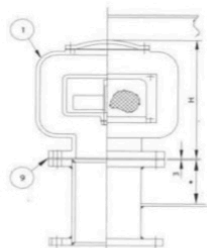
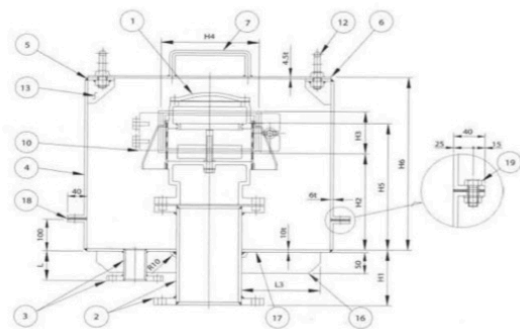


Materials		
No.	Part Name	Material
1.	Body	FCD 450
2.	Top Cover	FCD 450
3.	Hex Bolt & Washer	SUS 304
4.	Disc	SUS 304
5.	Guide Bar	SUS 304
6.	Packing	NBR
7.	Seat Packing	NBR
8.	Piece	FCD 450
9.	Hex Bolt & Washer	SUS 304
10.	Wire Net	SUS 304
11.	Net Frame	SS 400
12.	Packing	NBR
13.	Top Packing	NBR
14.		
15.		
16.		
17.		
18.		
19.		

Dimensions									
Size (mm)	ød	A	B	L1	L2	H	H1	T	Weight (approx. kg)
50A	50	91	135	97	120	197	127	7	14.2
65A	65	106	146	114.5	130	226	146	7	17
80A	80	127	156	138	150	266	176	7	19.5
100A	100	86	250	142	185	238	160	8	26
125A	125	98	288	164.5	210	266	180	8	38
150A	150	117	330	192	240	302	208	9	54
200A	200	146	432	244	270	382	269	9	93
250A	250	172	546	287	320	452	314	9	129
300A	300	202	616	327	350	530	367	10	175
350A	350	225	714	384	380	600	415	12	236



Air Vent Head (Oil Coaming Type)

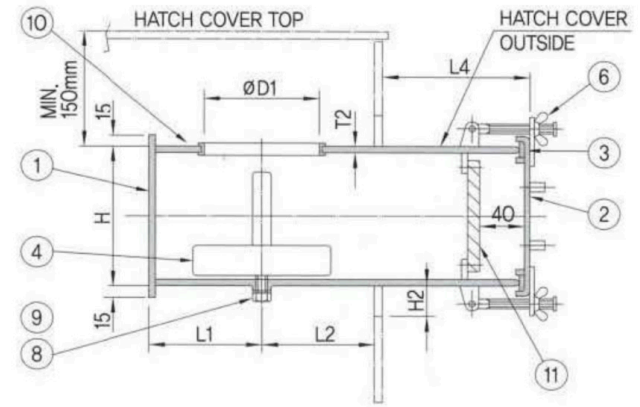
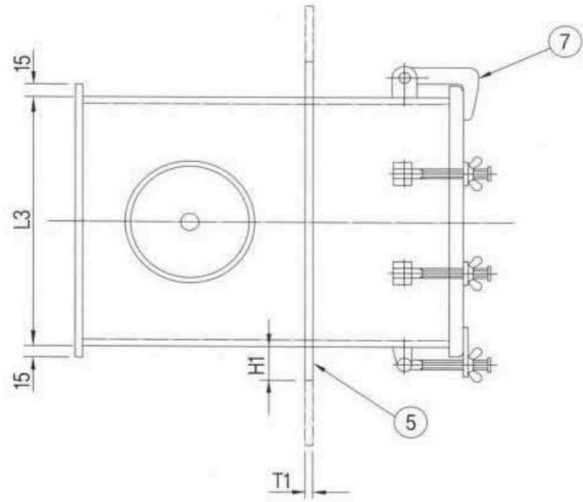


Materials		
No.	Part Name	Material
1.	Air Pipe Head	FCD 450
2.	Conn. FLG & Pipe (SCH.80)	SS 400
3.	Drain FLG & Pipe (SCH.80)	SS 400
4.	Vent Head Box	SS 400
5.	Ring Plate	SS 400
6.	Vent Head Cover	SS 400
7.	Hand Grip	SS 400
8.	Hex Bolt	SUS 304
9.	Gasket	NBR
10.	Louver Cover	SS 400
11.	Louver Frame	SS 400
12.	Eye, Bolt, and Nut	SS 400
13.	Support	SS 400
14.	Butterfly Bolt/ Nut	SUS 304
15.	Hinge	SS 400
16.	Stiffener	SS 400
17.	Bottom Plate	SS 400
18.	Packing	NBR
19.	Hex. Bolt/Nut/ Washer	SUS 304

Dimensions																			
Size (mm)	ø(abt.)	A	B	B1	B2	H	H1	H2	H3	H4	H5	H6	L	L1	L2	L1	N	C	Angle
5K-65A	310	209	146	340	38	226	150	235	80	180	232	350	70	108	62	90	4	348	50X6t
5K-80A	350	247	156	390	38	266	150	255	80	180	262	390	70	125	72	90	4	388	50X6t
5K-100A	350	241	250	390	38	238	150	225	80	180	258	375	70	120	70	90	4	388	50X6t
5K-125A	390	288	288	420	38	266	150	245	100	210	303	427	70	142	82	90	6	428	50X6t
5K-150A	470	346	330	490	38	302	150	278	120	240	351	480	70	163	95	110	6	508	50X6t
5K-200A	600	454	432	640	50	382	150	330	160	330	422	585	80	210	122	150	8	638	75X6t
5K-250A	700	547	546	730	50	452	150	386	200	370	495	680	80	257	150	170	8	738	75X6t
5K-300A	840	658	616	860	50	530	150	440	240	430	570	780	80	298	170	210	10	878	75X6t
5K-350A	940	757	714	960	50	600	150	500	280	462	652	880	80	340	198	240	10	978	75X6t



Air Vent Head (Hatch Type)

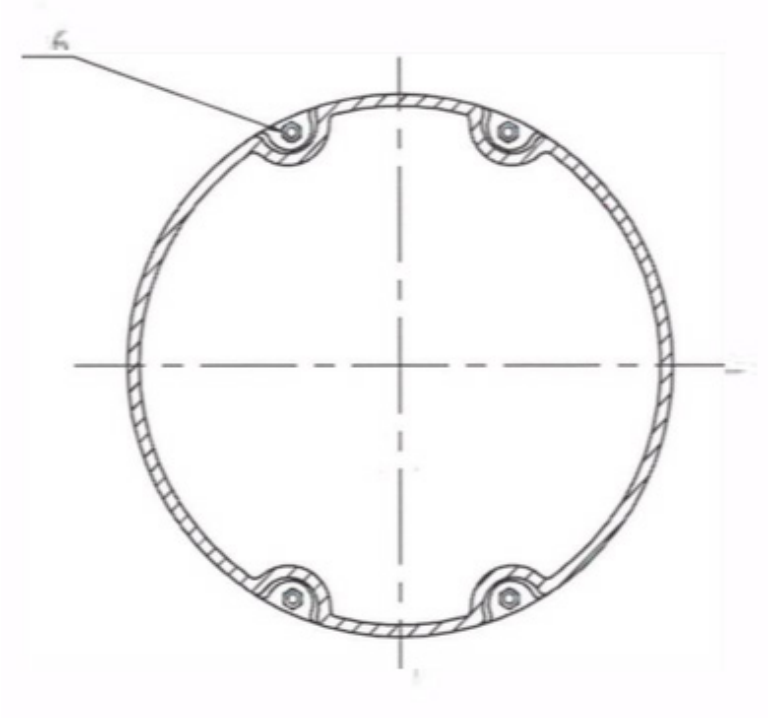
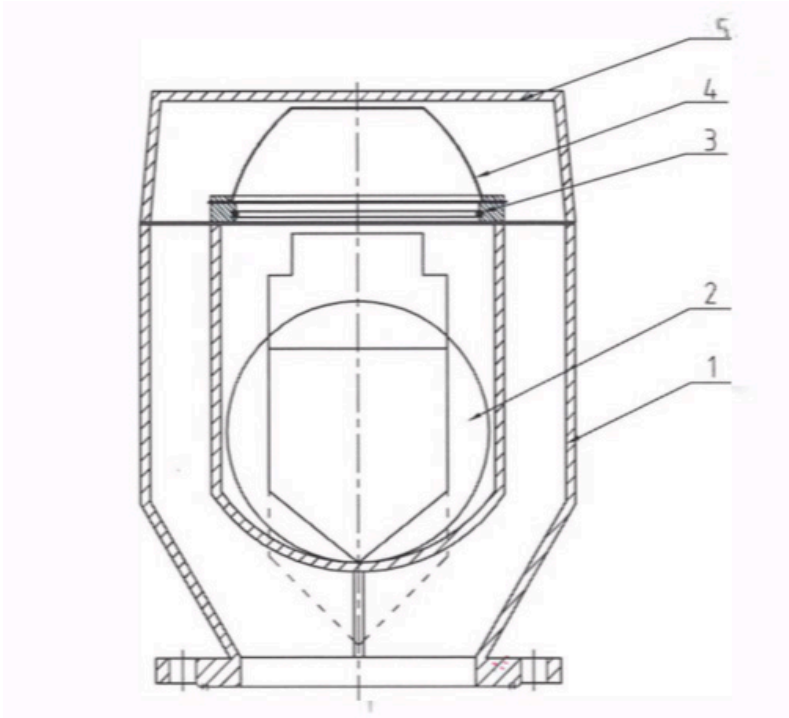


Materials		
No.	Part Name	Material
1.	Body	SS 400
2.	Cover	SS 400
3.	Packing	NBR
4.	Disc	SUS 304
5.	Pad	SS 400
6.	Eye Bolt	BsBF
7.	Hinge	SS 400
8.	Guide Bolt	SUS 304
9.	Spring Washer	SS400
10.	Gasket	NBR
11.	Net	SS 400

Dimensions										
Size (mm)	Ø D1	L1	L2	L3	L4	H	H1	H2	T1	T2
250A	235	188	188	376	150	190	50	55	8	8
300A	323	210	210	420	150	190	50	55	8	8
350A	339	232	232	500	150	210	50	55	8	8
400A	391	254	254	530	150	240	50	55	8	8
450A	442	289	289	570	150	300	50	55	14	10



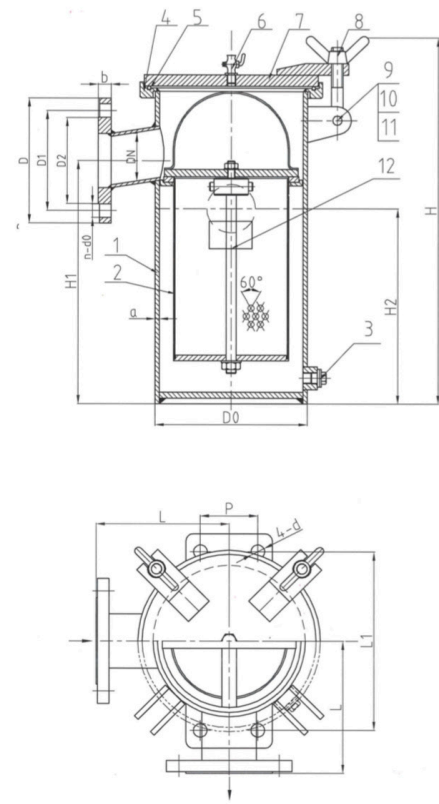
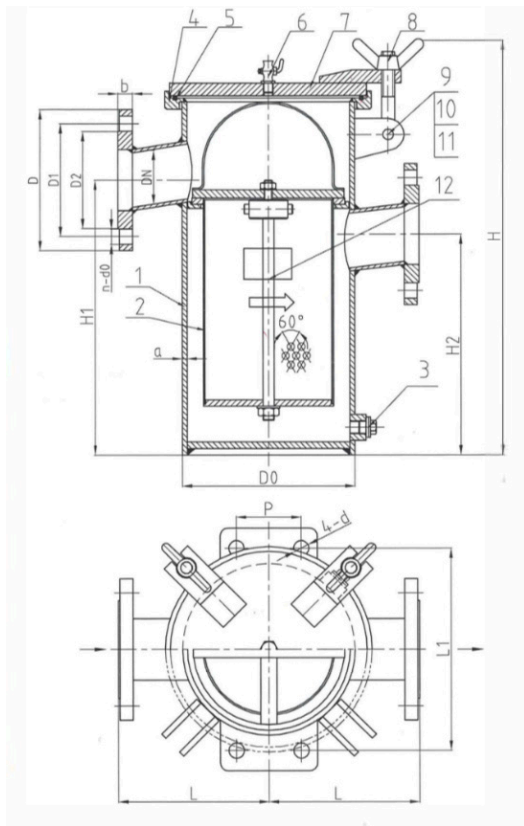
Air Pipe Head (Cast aluminium Type)



Materials		
No.	Part Name	Material
1.	Body	ZL101
2.	Floating ball	Polyethylene
3.	O-Rings	Ntrile Rubber
4.	Insect prevention	SUS 316L
5.	Top cover	ZL 101
6.	Bolt	SUS 304

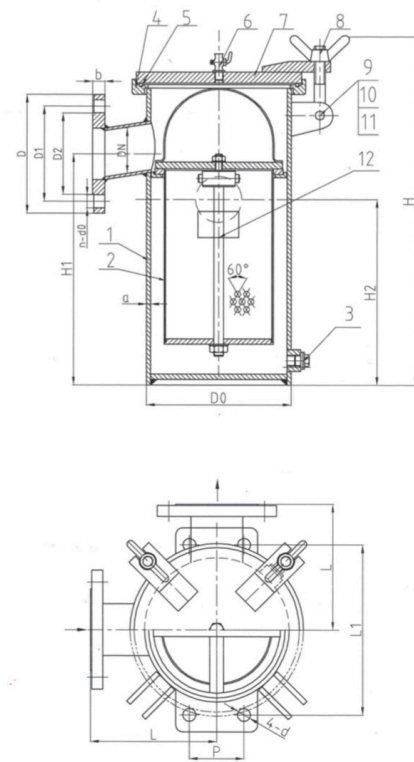


Oil Filter



Materials		
No.	Part Name	Material
1.	Body	Q235B
2.	Filter cartridge	SUS 304
3.	Bleed screw	Brass
4.	Neck strap	Q235B
5.	O-Rings	Ntrile Rubber
6.	Air relief cock	Brass
7.	Cover	Q235B
8.	Butterfly nut	Brass
9.	Cotter	SUS 304
10.	Eyeley bolt	SUS 304
11.	Pin roll	SUS 304
12.	Nameplate	Brass

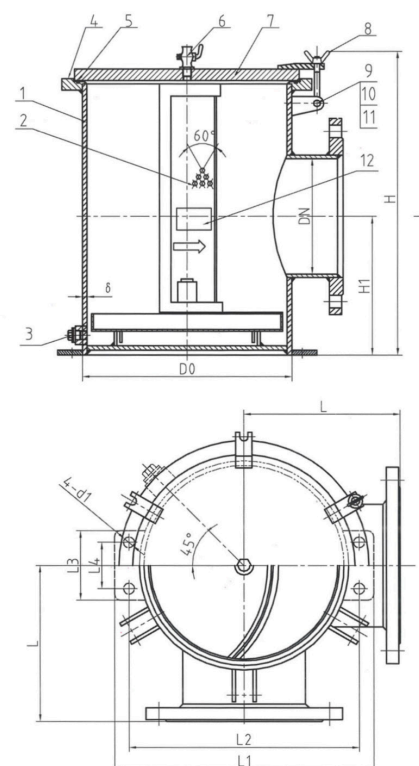
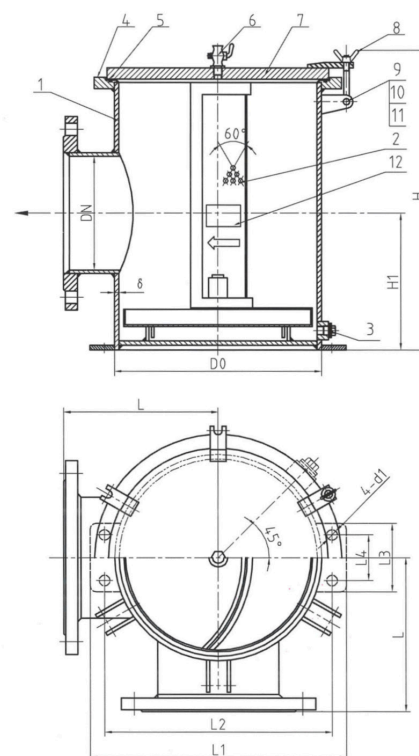
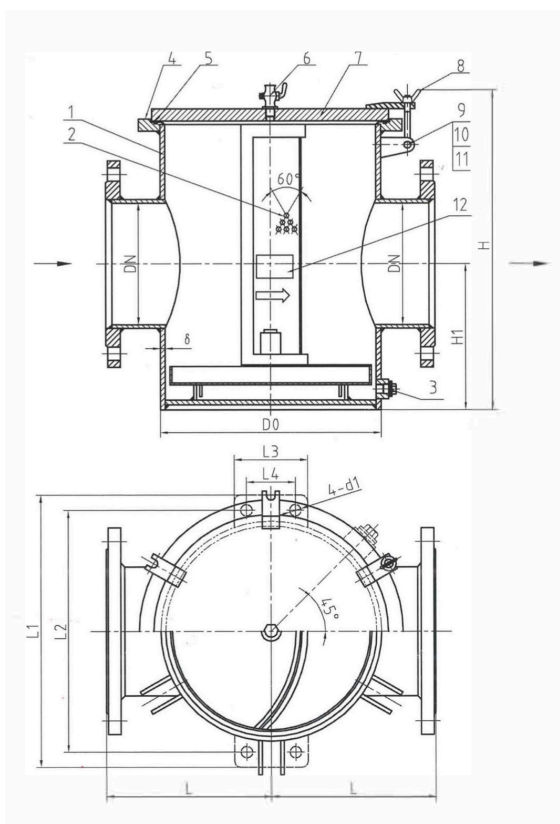
Pressure Rating	
Type	S, LA, LB
Working Pressure MPa	0.5
mm	15-300
Applicable Medium	<80°C fuel , lub oil



Specifications															
Standard	Dimension					Thickness	Product size			Flange standard					
	DN	L	H	H1	H2		D0	a	L1	P	d	D	D1	D2	b
DN15	95	268	145	113	89	5	-	-	-	80	60	48	9	4	12
DN20	95	240	123	91	89	5	-	-	-	85	65	52	10	4	12
DN25	95	240	123	91	89	5	-	-	-	95	75	62	10	4	12
DN32	130	335	180	145	127	5	-	-	-	115	90	72	12	4	15
DN40	130	335	180	145	127	5	-	-	-	120	95	78	12	4	15
DN50	140	435	258	208	170	5	200	60	15	130	105	88	14	4	15
DN65	170	539	340	273	212	6	245	80	19	155	130	112	14	4	15
DN80	185	571	356	283	242	6	280	80	19	180	145	125	14	4	19
DN100	210	669	430	340	277	6	315	90	19	200	165	145	16	8	19
DN125	225	762	482	373	297	6	345	90	23	235	200	180	16	8	19
DN150	235	846	540	410	312	6	370	90	23	265	230	210	18	8	23
DN200	285	990	630	475	372	6	435	120	25	320	280	255	20	8	23
DN250	350	1172	729	529	450	6	520	150	27	385	345	320	22	12	23
DN300	400	1252	772	542	486	8	545	160	27	430	390	365	22	12	23



Water Filter (Ship and Fresh Water Type A)



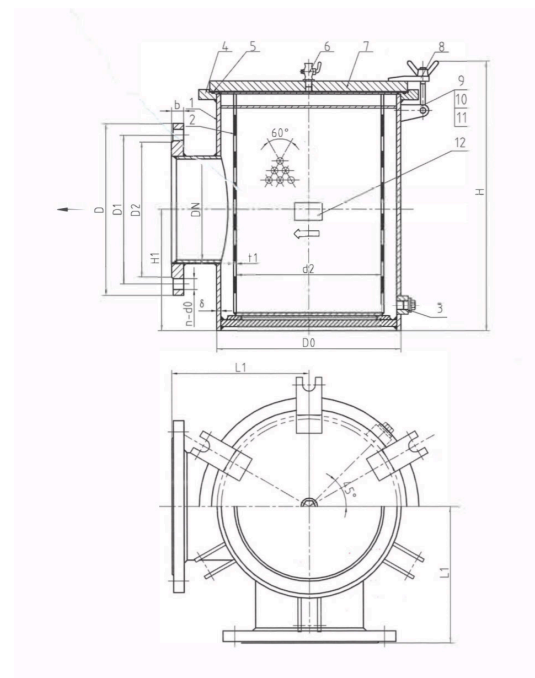
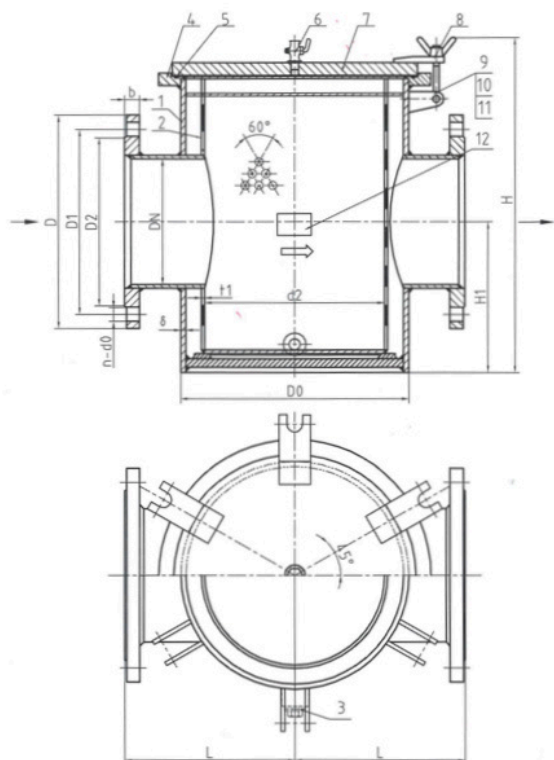
Materials		
No.	Part Name	Material
1.	Body	Q235B
2.	Filter cartridge	SUS 304
3.	Bleed screw	Brass
4.	Neck strap	Q235B
5.	O-Rings	Ntrile Rubber
6.	Air relief cock	Brass
7.	Cover	Q235B
8.	Butterfly nut	Brass
9.	Cotter	SUS 304
10.	Eyeley bolt	SUS 304
11.	Pin roll	SUS 304
12.	Nameplate	Brass

Pressure Rating	
Type	A, AS, B, BS
Working Pressure MPa	0.1
mm	50-500
Applicable Medium	Sea water, fresh water

Specifications											
Standard	Dimension				Thickness	Product size					
	DN	L	H	H1		D0	a	L1	L2	L3	L4
DN40	135	255	92	140	5	-	-	-	-	-	-
DN50	135	255	92	140	5	-	-	-	-	-	-
DN65	155	325	122	168	5	-	-	-	-	-	-
DN80	175	360	152	195	5	-	-	-	-	-	-
DN100	210	415	182	273	5	-	-	-	-	-	-
DN125	210	445	182	273	5	-	-	-	-	-	-
DN150	245	470	190	325	6	-	-	-	-	-	-
DN200	270	550	240	362	8	440	410	80	50	17	
DN250	300	675	315	450	8	520	490	80	50	17	
DN300	330	770	340	500	8	590	560	100	70	17	
DN350	425	963	508	580	10	680	640	120	80	19	
DN400	475	995	515	669	12	770	730	120	80	19	
DN450	525	1040	550	754	12	880	830	140	90	23	
DN500	590	1120	630	854	12	980	930	160	110	23	

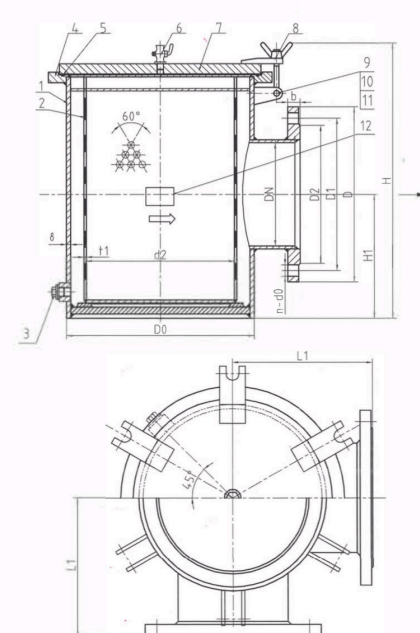


Water Filter (Ship and Fresh Water Type B)



Materials		
No.	Part Name	Material
1.	Body	Q235B
2.	Filter cartridge	SUS 304
3.	Bleed screw	Brass
4.	Neck strap	Q235B
5.	O-Rings	Ntrile Rubber
6.	Air relief cock	Brass
7.	Cover	Q235B
8.	Butterfly nut	Brass
9.	Cotter	SUS 304
10.	Eyeley bolt	SUS 304
11.	Pin roll	SUS 304
12.	Nameplate	Brass

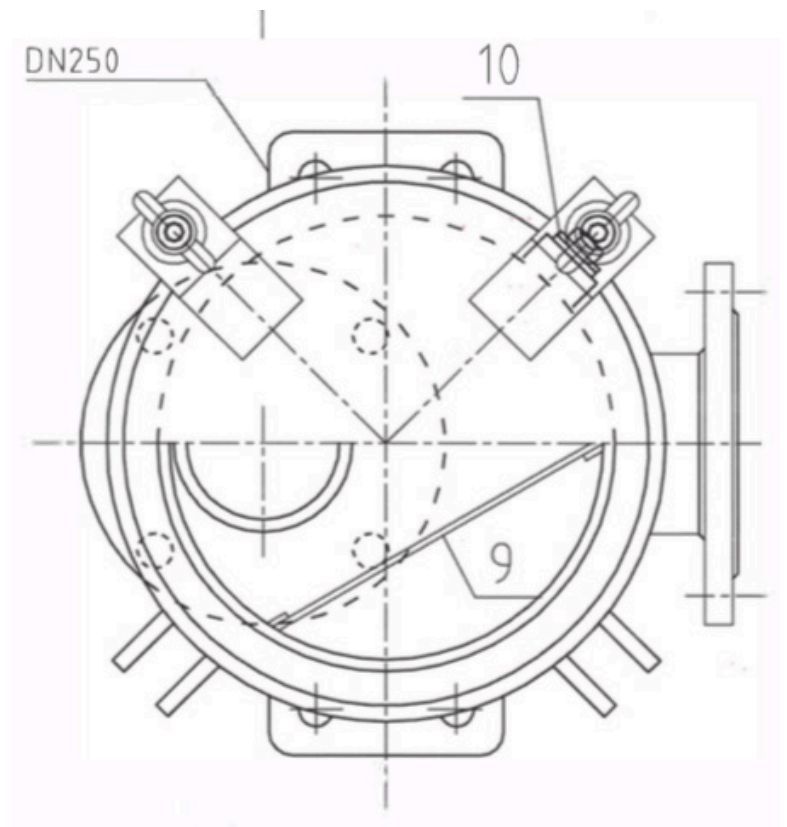
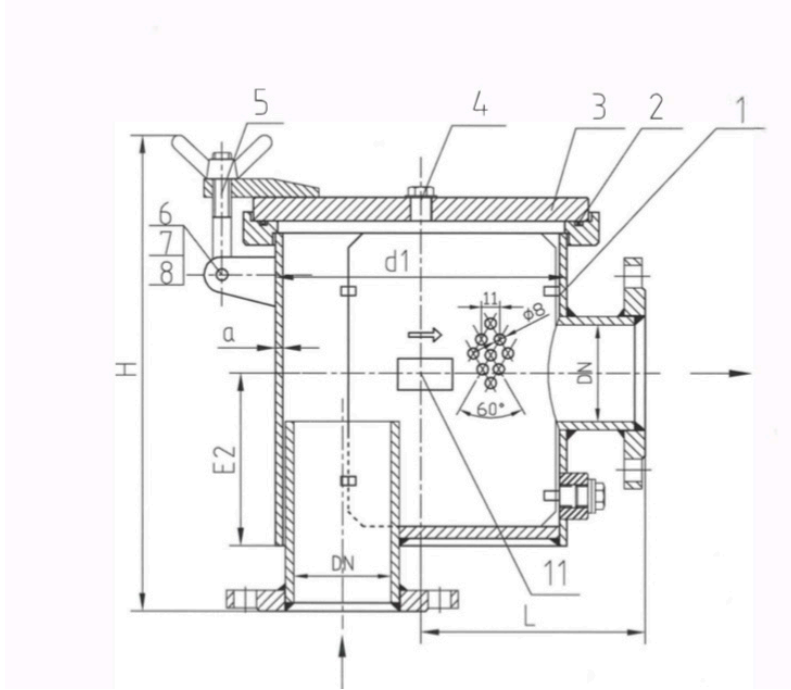
Pressure Rating	
Type	A
Working Pressure MPa	0.2
mm	50-500
Applicable Medium	Sea water, fresh water



Specifications														
Standard	Dimension				Thickness	Product size			Flange standard					
DN	L	H	H1	D0	a	d2	t1	D	D1	D2	b	n	d0	
DN50	100	250	100	114	5	75	3	130	105	88	14	4	15	
DN65	125	298	135	140	5	100	3	155	130	112	14	4	15	
DN80	135	340	152	168	6	110	3	180	145	125	14	4	19	
DN100	160	398	185	195	6	130	3	200	165	145	16	8	19	
DN125	200	435	207	219	6	165	3	235	200	180	16	8	19	
DN150	230	530	258	273	6	200	3	265	230	210	18	8	23	
DN200	275	620	320	325	6	250	3	320	280	255	20	8	23	
DN250	340	740	410	436	8	330	3	385	345	320	22	12	23	
DN300	380	845	473	496	8	380	3	430	390	365	22	12	23	
DN350	410	955	529	55	10	420	3	480	435	405	24	12	25	
DN400	440	1050	595	619	12	470	3	540	495	465	24	16	25	
DN450	525	1120	600	754	12	520	3	605	55	525	24	16	25	
DN500	590	1200	610	854	12	580	3	655	605	575	24	20	25	



Mud Box



Materials		
No.	Part Name	Material
1.	Body	Q235B
2.	O-Rings	Ntrile Rubber
3.	Cover	Q235B
4.	Bleed screw	Brass
5.	Butterfly nut	Brass
6.	Cotter	SUS 304
7.	Eyeley bolt	SUS 304
8.	Pin roll	SUS 304
9.	Hilter plate	SUS 304
10.	Screw plug	Brass
11.	Nameplate	Brass

Pressure Rating	
Type	B, BS
Working Pressure MPa	0.1
mm	50-250
Applicable Medium	Sea water, fresh water, bottom sewage

Specifications					
Standard	Dimension				Thickness
DN	L	E2	H	d1	δ
DN50	120	90	273	159	5
DN65	150	116	320	195	5
DN80	160	131	350	219	6
DN100	190	152	390	273	6
DN125	235	214	496	325	8
DN150	280	267	600	402	8
DN200	330	330	741	506	8
DN250	380	400	874	598	8