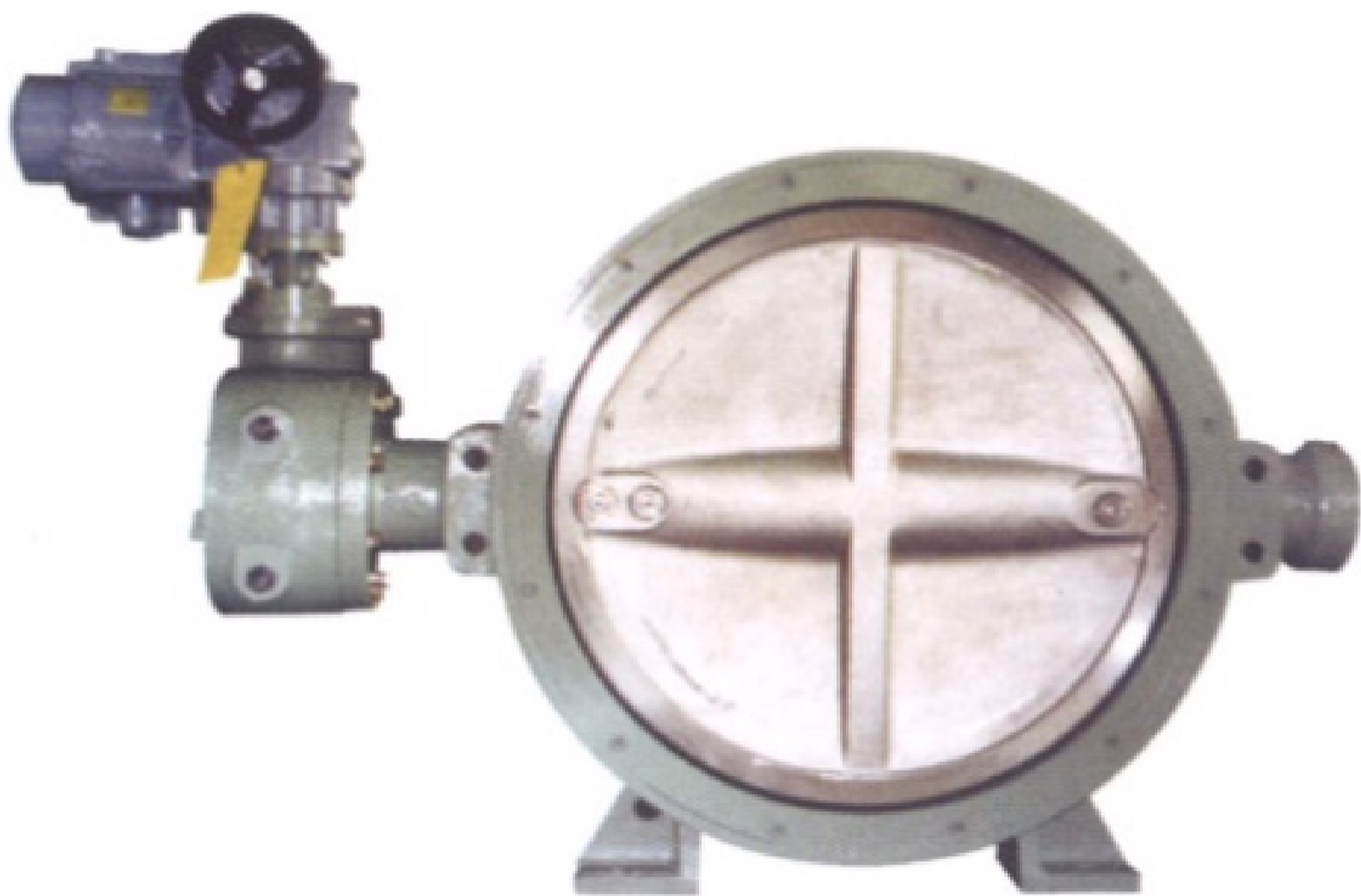




**WORLD VALVE CO.,LTD**

---

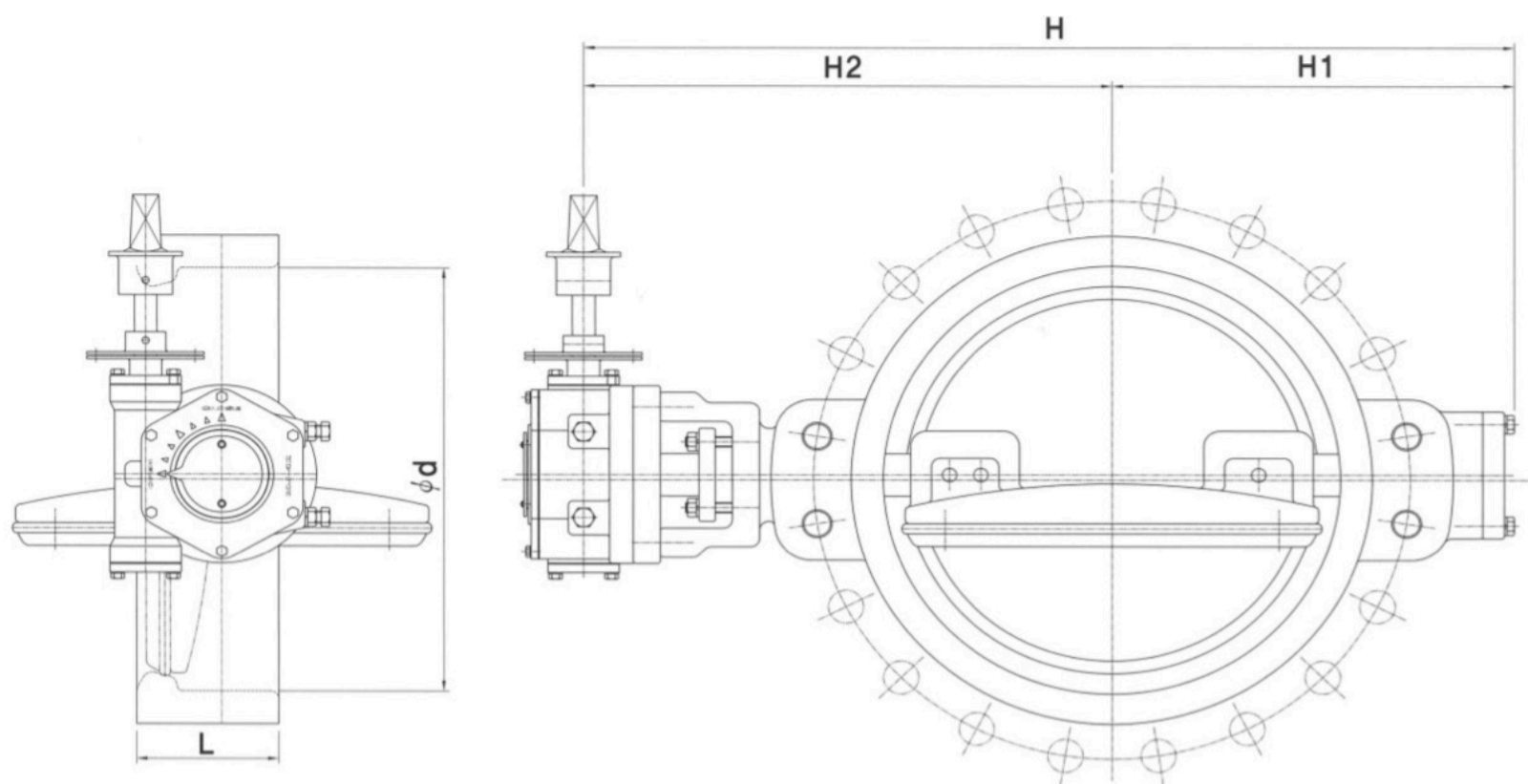
## **Eccentric Disk Seated Butterfly Valves**



**Product Information**



## Eccentric Disk Seated Butterfly Valve (Wafer Type)

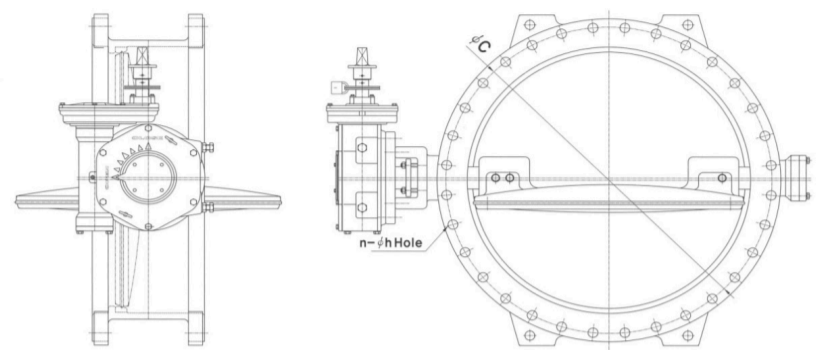
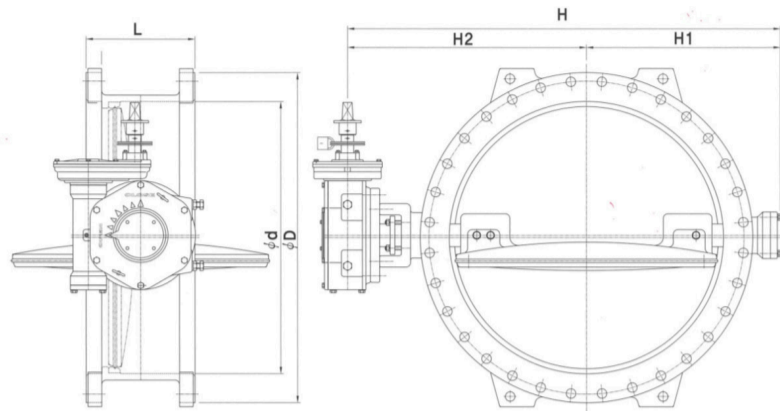


Materials (applies to all valves)		
No.	Part Name	Material
1.	Body	Ductile iron / Cast steel / Stainless steel / Ni-AL Bronze
2.	Disc	Stainless steel / Ductile iron / Ni-AL Bronze
3.	Seat	NBR, EPDM, VITON
4.	Body Seat	Stainless steel / Ni-AL Bronze
5.	Stem	Stainless steel (304, 316, 316L, 630 (17-4PH), Super duplex, Monel)
6.	Disc Pin	Stainless steel
7.	Retainer	Stainless steel / Ni-AL Bronze / Carbon steel
8.	Packing Gland	Ductile iron / Cast steel / Stainless steel / Ni-AL Bronze
9.	Gland Ring	Bronze / Stainless steel
10.	Bottom Cover	Ductile iron / Cast steel/ Stainless steel / Ni-AL Bronze
11.	Stand	Carbon steel / Cast steel / Ductile iron / Stainless steel
12.	Stem Beating	Stainless steel, Bronze, Oilless, bearing
13.	V-Packing	NBR, EPDM, VITON
14.	Thrust Plate	Bronze / Stainless steel
15.	Bottom O-Ring	NBR, EPDM, VITON
16.	Body Seat O-Ring	NBR, EPDM, VITON

Dimensions						
Size (mm)	Φd	L	H	H1	H2	Approx. Weight (kg)
80	80	64	375	150	225	12
100	100	64	392	160	232	15
125	125	70	445	175	270	18
150	150	76	473	185	288	25
200	200	89	584	235	349	36
250	250	114	622	255	367	56
300	300	114	733	305	428	68
350	350	127	779	330	449	93
400	400	140	829	350	479	121
450	450	152	934	410	524	144
500	500	152	1045	445	600	160
550	550	152	1130	490	640	228
600	600	178	1245	545	700	284
650	650	178	1290	565	725	327
700	700	229	1330	590	740	388
750	750	229	1365	615	750	430
800	800	241	1410	640	770	550
900	900	241	1545	680	865	680
1000	1000	300	1715	770	945	810
1100	1100	300	1860	820	1040	940
1200	1200	350	1945	875	1070	1225
1300	1300	350	2080	925	1155	1315
1350	1350	350	2120	950	1170	1430
1400	1400	390	2205	1015	1190	1560
1500	1500	390	2390	1075	1315	1650
1600	1600	440	2550	1160	1390	1770
1650	1650	440	2615	1190	1425	1980
1800	1800	490	2795	1230	1565	2200
2000	2000	540	2970	1355	1615	2330



## Eccentric Disk Seated Butterfly Valve (Flanged Type)



Materials		
No.	Part Name	Material
1.	Body	Ductile iron / Cast steel / Stainless steel / Ni-AL Bronze
2.	Disc	Stainless steel / Ductile iron / Ni-AL Bronze
3.	Seat	NBR, EPDM, VITON
4.	Body Seat	Stainless steel / Ni-AL Bronze
5.	Stem	Stainless steel (304, 316, 316L, 630 (17-4PH), Super duplex, Monel)
6.	Disc Pin	Stainless steel
7.	Retainer	Stainless steel / Ni-AL Bronze / Carbon steel
8.	Packing Gland	Ductile iron / Cast steel / Stainless steel / Ni-AL Bronze
9.	Gland Ring	Bronze / Stainless steel
10.	Bottom Cover	Ductile iron / Cast steel / Stainless steel / Ni-AL Bronze
11.	Stand	Carbon steel / Cast steel / Ductile iron / Stainless steel
12.	Stem Beating	Stainless steel, Bronze, Oilless, bearing
13.	V-Packing	NBR, EPDM, VITON
14.	Thrust Plate	Bronze / Stainless steel
15.	Bottom O-Ring	NBR, EPDM, VITON
16.	Body Seat O-Ring	NBR, EPDM, VITON

Valve Dimensions								
Size (mm)	Φd	L			H	H1	H2	Approx. Weight (kg)
		AWWA C504	BS5155(Short)	BS5155(Long)				
80	80	127	114	180	375	150	225	19
100	100	127	127	190	392	160	232	25
125	125	127	140	200	445	175	270	35
150	150	127	140	210	473	185	288	52
200	200	152	152	230	584	235	349	70
250	250	203	165	250	622	255	367	84
300	300	203	178	270	733	305	428	117
350	350	203	190	290	779	330	449	148
400	400	203	216	310	829	350	479	203
450	450	203	222	330	934	410	524	265
500	500	203	229	350	1045	445	600	391
550	550	203	229	350	1130	490	640	487
600	600	203	267	390	1245	545	700	620
650	650	203	267	390	1290	565	725	685
700	700	305	292	430	1330	590	740	813
750	750	305	292	430	1365	615	750	897
800	800	305	318	470	1410	640	770	1140
900	900	305	330	510	1545	680	865	1302
1000	1000	305	410	550	1715	770	945	1540
1100	1100	305	410	550	1860	820	1040	1720
1200	1200	381	470	630	1945	875	1070	2100
1300	1300	381	470	630	2080	925	1155	2400
1350	1350	381	470	630	2120	950	1170	2850
1400	1400	381	530	710	2205	1015	1190	3350
1500	1500	381	530	710	2390	1075	1315	3746
1600	1600	381	600	790	2550	1160	1390	5200
1650	1650	457	600	790	2615	1190	1425	5900
1800	1800	457	670	870	2795	1230	1565	6700
2000	2000	457	760	950	2970	1355	1615	7800
2100	2100	457	760	950	3110	1430	1680	8900
2400	2400	650	760	950	4085	1970	2115	14800
2800	2800	650	760	950	4230	2050	2180	24000
3000	3000	760	760	950	4310	2100	2210	31000
3500	3500	760	800	1350	5460	2700	2760	40100
4000	4000	900	900	1350	6210	3200	3010	48500



## Eccentric Disk Seated Butterfly Valve (Flanged Type)

Flange Dimensions

Size	150LB			300LB			JIS 10K				JIS 16K				PN6			PN10			PN16			PN25			
	ΦC	n	h	ΦC	n	h	ΦD	ΦC	n	h	ΦD	ΦC	n	h	ΦC	n	h	ΦC	n	h	ΦC	n	h	ΦC	n	h	
80	152.4	4	5/8"	168.1	8	3/4"	185	150	8	M16	200	160	8	M20	150	4	M16	160	8	M16	160	8	M16	160	8	M16	
100	190.5	8	5/8"	200.2	8	3/4"	210	175	8	M16	225	185	8	M20	170	4	M16	180	8	M16	180	8	M16	190	8	M20	
125	215.9	8	3/4"	235	8	3/4"	250	210	8	M20	270	225	8	M22	200	8	M16	210	8	M16	210	8	M16	220	8	M24	
150	241.3	8	3/4"	269.7	12	3/4"	280	240	8	M20	305	260	12	M22	225	8	M16	240	8	M20	240	8	M20	250	8	M24	
200	298.5	8	3/4"	330.2	12	7/8"	330	290	12	M20	350	305	12	M22	280	8	M16	295	8	M20	295	12	M20	310	12	M24	
250	362	12	7/8"	387.4	16	1"	400	355	12	M22	430	380	12	M24	335	12	M16	350	12	M20	355	12	M24	370	12	M27	
300	431.8	12	7/8"	450.9	16	1 1/8"	445	400	16	M22	480	430	16	M24	395	12	M20	400	12	M20	410	12	M24	430	16	M27	
350	476.3	12	1"	514.4	20	1 1/8"	490	445	16	M22	540	480	16	M30	445	12	M20	460	16	M20	470	16	M24	490	16	M30	
400	539.8	16	1"	571.5	20	1 1/4"	560	510	16	M24	605	540	16	M30	495	16	M20	515	16	M24	525	16	M27	550	16	M33	
450	577.9	16	1 1/8"	628.7	24	1 1/4"	620	565	20	M24	675	605	20	M30	550	16	M29	565	20	M24	585	20	M27	600	20	M33	
500	635	20	1 1/8"	685.8	24	1 1/4"	675	620	20	M24	730	660	20	M30	600	20	M20	620	20	M24	650	20	M30	660	20	M33	
550	692.2	20	1 1/4"				745	680	20	M30	795	720	20	M36	-	-	-	-	-	-	-	-	-	-	-	-	
600	749.3	20	1 1/4"	812.8	24	1 1/2"	795	730	24	M30	845	770	24	M36	705	20	M24	725	20	M27	770	20	M33	770	20	M36	
650	806.5	24					845	780	24	M30	895	820	24	M36	-	-	-	-	-	-	-	-	-	-	-	-	
700	863.6	28	1 1/4"				905	840	24	M30	960	875	24	M39	810	24	M24	840	24	M27	840	24	M33	875	24	M39	
750	914.4	28					970	900	24	M30	1020	935	24	M39	-	-	-	-	-	-	-	-	-	-	-	-	
800	977.9	28	1 1/2"				1020	950	28	M30	1085	990	24	M45	920	24	M27	950	24	M30	950	24	M36	990	24	M45	
900	1085.9	32	1 1/2"				1120	1050	28	M30	1185	1090	28	M45	1020	24	M27	1050	28	M30	1050	28	M36	1090	28	M45	
1000	1200.2	36	1 1/2"				1235	1160	28	M36	1320	1210	28	M52	1120	28	M27	1160	28	M33	1170	28	M39	1210	28	M52	
1100	1314.5	40					1345	1270	28	M36	1420	1310	32	M52	-	-	-	-	-	-	-	-	-	-	-	-	
1200	1422.4	44	1 1/2"				1465	1380	32	M36	1530	1420	32	M52	1340	32	M30	1380	32	M36	1390	32	M45	1420	32	M52	
1300	1536.7	44	1 3/4"				-	-	-	-	-	-	-	-	-	-	-	-	-	-	-	-	-	-	-	-	
1350	1593.9	44					1630	1540	36	M42	1700	1590	32	M56	-	-	-	-	-	-	-	-	-	-	-	-	
1400	-	-	-				-	-	-	-	-	-	-	-	1560	36	M33	1590	36	M39	1590	36	M45	1640	36	M56	
1500	1759.0	52	1 3/4"				1795	1700	40	M42	1865	1750	36	M56	-	-	-	-	-	-	-	-	-	-	-	-	
1600	-	-	-				-	-	-	-	-	-	-	-	1760	40	M33	1820	40	M45	1820	40	M52	1860	40	M56	
1650	1930.4	52	1 3/4"				-	-	-	-	-	-	-	-	-	-	-	-	-	-	-	-	-	-	-	-	
1800	2095.5	60	1 3/4"				-	-	-	-	-	-	-	-	1970	44	M36	2020	44	M45	2020	44	M52	2070	44	M64	
2000	-	-	-				-	-	-	-	-	-	-	-	2180	48	M39	2230	48	M45	2230	48	M56	2300	48	M64	
2100	2425.7	64	2"				-	-	-	-	-	-	-	-	-	-	-	-	-	-	-	-	-	-	-	-	
2200							-	-	-	-	-	-	-	-	2390	52	M39	-	-	-	-	-	-	-	-	-	
2400	2755.9	68	2 1/4"				-	-	-	-	-	-	-	-	2600	56	M39	-	-	-	-	-	-	-	-	-	
2600							-	-	-	-	-	-	-	-	2810	60	M45	-	-	-	-	-	-	-	-	-	
2800	NOTE For DN2800 and larger, it is available upon request.																										
3000																											
3500																											
4000																											