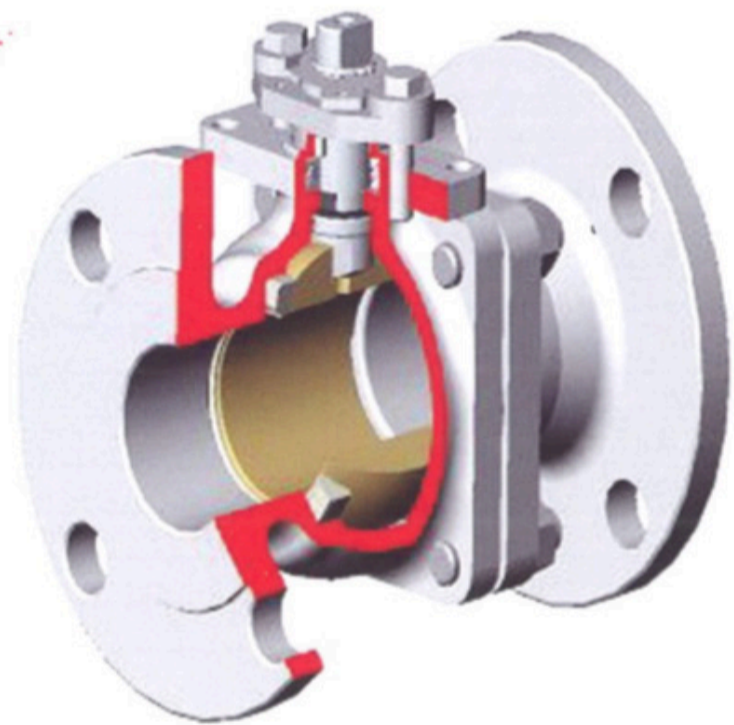
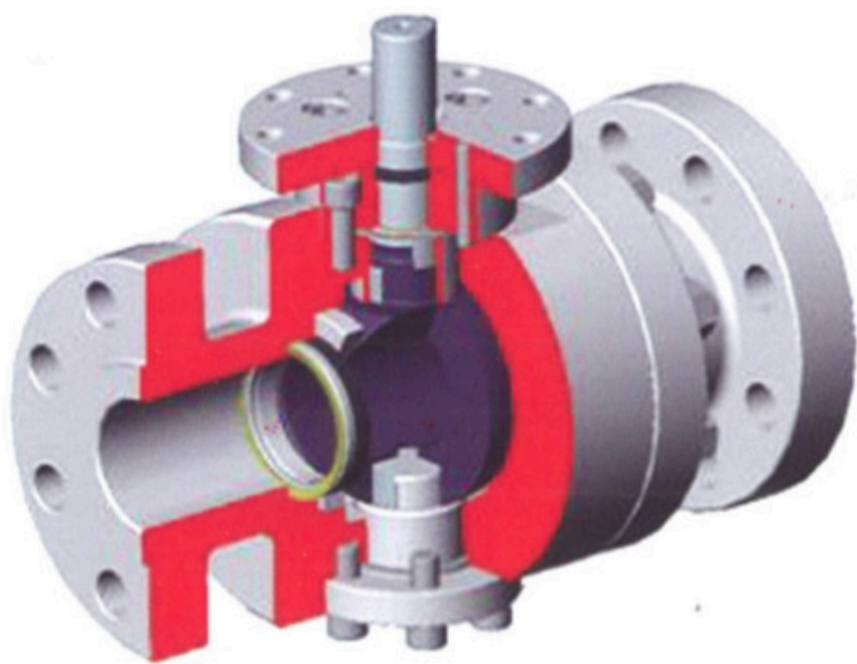




WORLD VALVE CO.,LTD

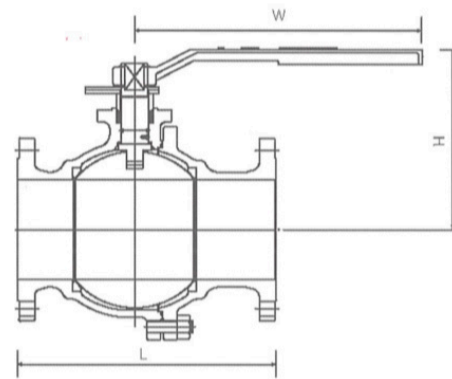
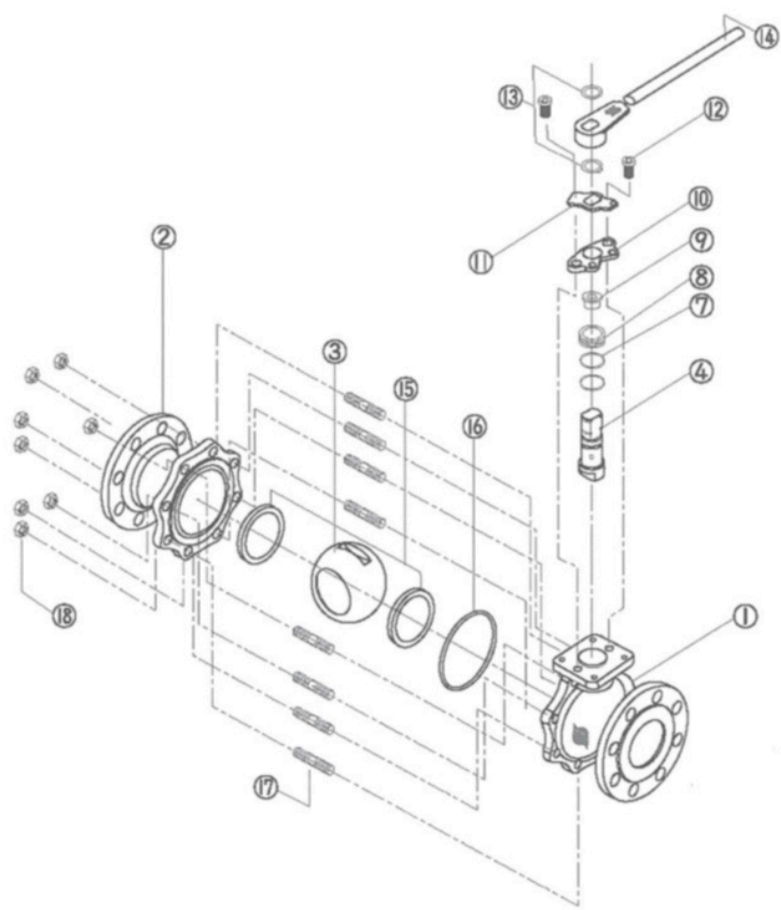
Ball Valves



Product Information

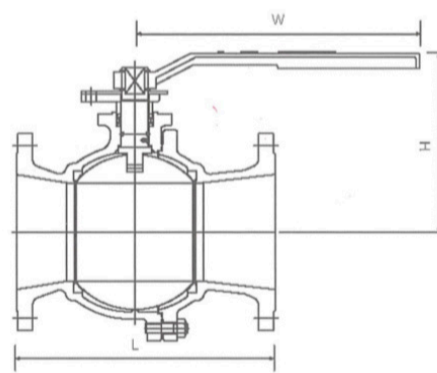


AV-B Series Two-Piece Floating Ball Valves



Class 150 Dimensions (all in mm)					
Size	BXB	L	H	W	Weight (kg)
1 1/2"	38	165	98	240	8
2x1 1/2	38	178	125	240	9
2	51	178	138	240	11
3x2	51	203	138	240	15
3	76	203	174	240	22
4x3	76	229	174	240	25
4	102	229	200	350	34
6x4	102	394	200	350	64
6	152	394	275	440	84
8x6	152	457	275	440	100
8	203	457	310	380	120
10x8	203	533	310	380	150

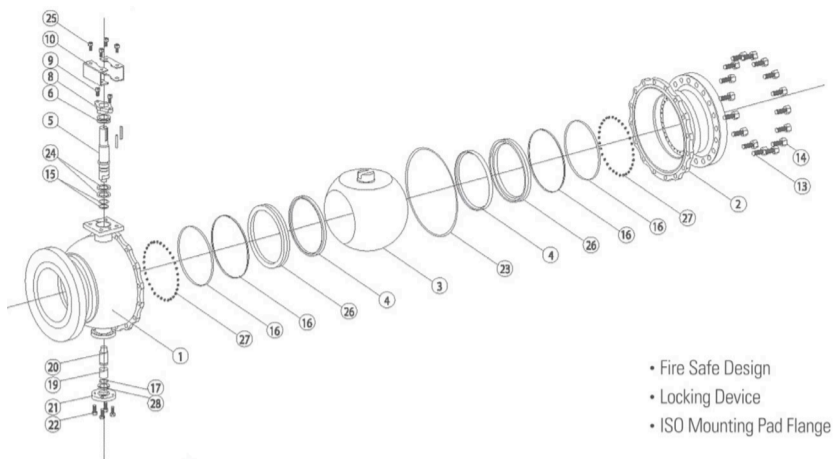
Materials		
No.	Part Name	Material
1.	Body	Cast Steel/Stainless Steel/Bronze
2.	Cap	Cast Steel/Stainless Steel/Bronze
3.	Ball	Stainless Steel
4.	Stem	Stainless Steel
5.	O-Ring	Rubber or HSN
6.	Gland Packing	Graphite. Rubber. PTFE
7.	Gland Ring	Stainless Steel
8.	Gland Flange (Locking Device)	Stainless Steel
9.	Stopper	Steel/Stainless Steel
10.	Gland Bolt	Steel/Stainless Steel
11.	Snap Ring	Steel
12.	Lever	Ductile Iron
13.	Seat Ring	Graphite. Rubber. PTFE
14.	Gasket	Graphite. Rubber. PTFE
15.	Sted Bolt	Steel/Stainless Steel
16.	Nut	Steel/Stainless Steel



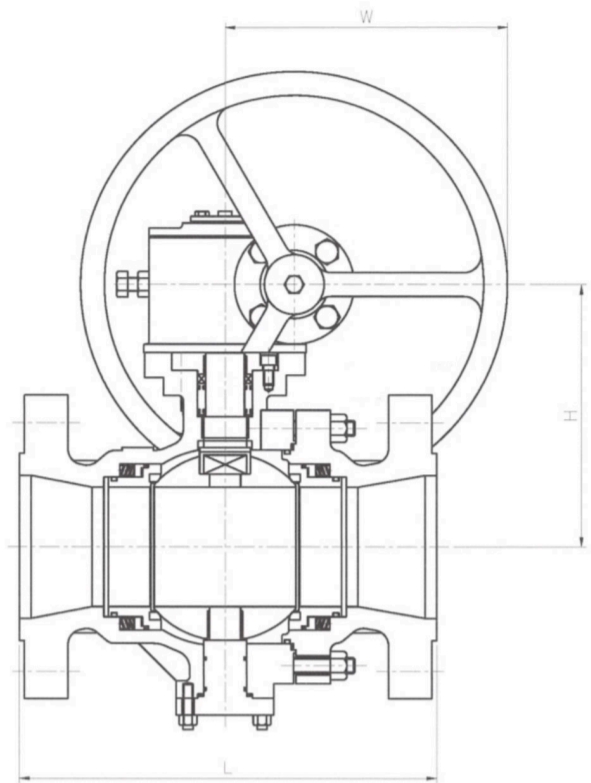
Class 300 Dimensions (all in mm)					
Size	BXB	L	H	W	Weight (kg)
1 1/2"	38	191	98	240	9
2x1 1/2	38	216	125	240	12
2	51	216	138	240	14
3x2	51	283	138	240	22
3	76	283	174	240	31
4x3	76	305	174	240	39
4	102	305	200	350	46
6x4	102	403	200	350	84
6	152	403	275	440	106
8x6	152	502	275	440	130
8	203	502	310	380	175
10x8	203	568	310	380	190



AV-B Series Two-Piece Trunnion Ball Valves



- Fire Safe Design
- Locking Device
- ISO Mounting Pad Flange



Materials		
No.	Part Name	Material
1.	Body	Cast Steel / Stainless Steel
2.	Cap	Cast Steel / Stainless Steel
3.	Ball	Stainless Steel
4.	Seat Ring	Stainless Steel
5.	Stem	A 276 316
6.	Packing	Graphite. Rubber. PTFE
7.	Gland	A 276 316
8.	Gland Bolt	A 307 GR. B / A 193 B8
9.	Blacket	Carbon Steel
10.	Stud Bolt	Steel Stainless Steel
11.	Nut	Steel Stainless Steel
12.	O-Ring	VITON or HSN
13.	O-Ring	VITON or HSN
14.	O-Ring	VITON or HSN
15.	Lower Stem Bushing	Grafoil
16.	Lower Stem	A 276 GR 316
17.	Lower Cover	A 576 - 1045 / Cast Steel or Stainless Steel
18.	Lower Cover Bolt/ Nut	Steel. Stainless Steel
19.	Gasket	Graphite. Rubber. PTFE
20.	Thrust Washer	Grafoil
21.	Blacket Bolt/Nut	Steel. Stainless Steel
22.	Retainer	A 276 316 or A351 CF 8M
23.	Coil Spring	Inconel x 750
24.	Lower Gasket	Graphite. Rubber. PTFE
25.	Gear Box (Worm Gear)	Ductile Iron
26.	Sealant Injection	Stainless Steel

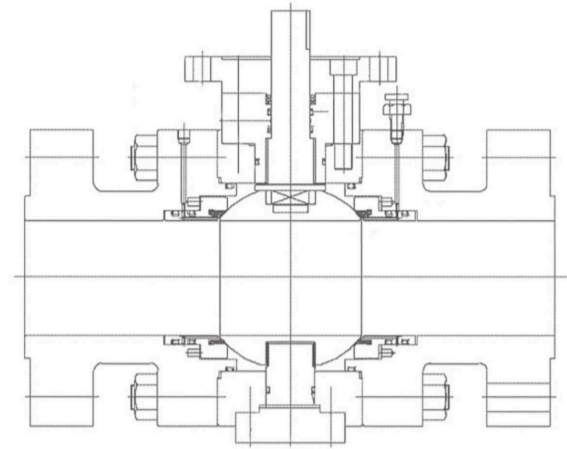
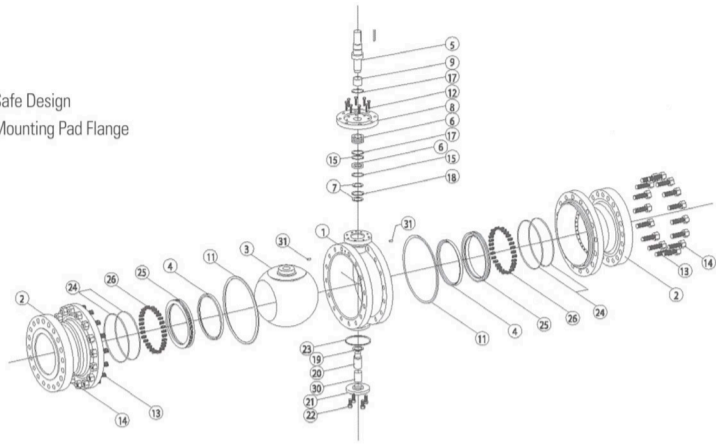
Class 150 Dimensions (all in mm)					
Size	BXB	L	H	W	Weight (kg)
8	203	457	310	380	120
10x8	203	533	610	380	150
10	254	533	435	380	240
12x10	254	610	435	380	290
12	305	610	460.2	380	385
14x12	305	686	460	380	470
14	337	686	520	600	500
16x14	337	762	520	600	590
16	387	762	590	600	750
18x16	387	864	590	600	790
18	438	864	670	600	980
20x18	438	914	670	600	1030
20	489	914	750	800	1190
24x20	489	1067	750	800	1570
24	591	1067	930	800	2100

Class 300 Dimensions (all in mm)					
Size	BXB	L	H	W	Weight (kg)
8	203	502	310	380	175
10x8	203	568	610	380	190
10	254	568	435	380	365
12x10	254	648	435	380	380
12	305	648	460.2	380	520
14x12	305	762	460	380	580
14	337	762	520	600	720
16x14	337	838	520	600	780
16	387	838	590	600	1020
18x16	387	914	590	600	1100
18	438	914	670	600	1280
20x18	438	991	670	600	1360
20	489	991	750	800	1540
24x20	489	1143	750	800	1950
24	591	1143	930	800	2600



AV-B Series Three-Piece Trunnion Ball Valves

- Fire Safe Design
- ISO Mounting Pad Flange



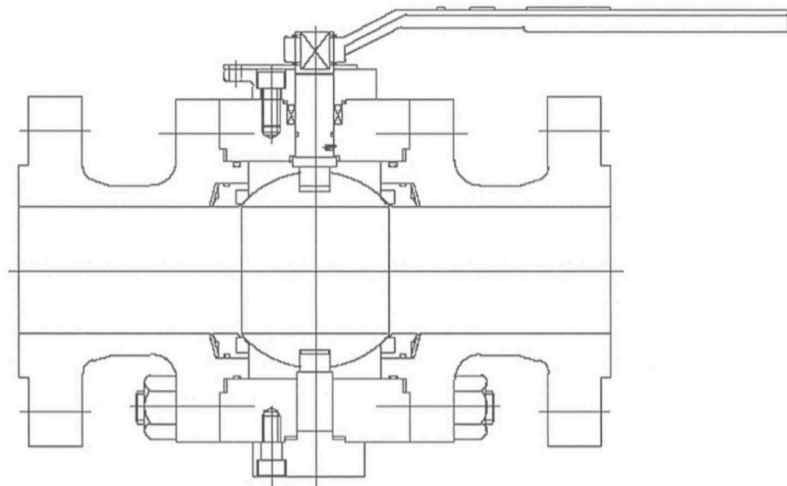
Materials		
No.	Part Name	Material
1.	Body	Cast Steel / Stainless Steel
2.	Cap	Cast Steel / Stainless Steel
3.	Ball	Stainless Steel
4.	Seat Ring	Stainless Steel
5.	Stem	A 276 GR. 316
6.	Lantern Ring	A 276 GR. 316
7.	Thrust	Grafoil
8.	Gland	A 576-1045 / Cast Steel / Stainless Steel
9.	Stem Bushing	Grafoil
10.	Packing	Graphite. Rubber. PTFE
11.	Gasket (Sprial Wound)	Graphite. Rubber. PTFE
12.	Wrench Bolt	A 307 GR. B / A 193 B8
13.	Stud Bolt	Steel. Stainless Steel
14.	Nut	Steel. Stainless Steel
15.	O-Ring (Lantern Ring)	VITON or HSN
16.	O-Ring (Lantern Ring)	VITON or HSN
17.	O-Ring (Mounting)	VITON or HSN
18.	Antistatic Device	316 SS
19.	O-Ring (Low Stem)	VITON or HSN
20.	Lower Stem	A 276 GR. 304 / Cast Steel / Stainless Steel
21.	Lower Cover	A 576-1045 / Cast Steel / Stainless Steel
22.	Lower Cover Bolt / Nut	Steel. Stainless Steel
23.	Gasket	Grafoil
24.	O-Ring (Lantern Ring)	VITON or HSN
25.	Retainer	A 276 316 or A351 GR. CF 8M
26.	Coil Spring	Inconel x 750
27.	Lower Stem Bush	Grafoil
28.	Sealant Injection	Stainless Steel
29.	Gear Box (Worm Gear)	Ductile Iron

Class 150 Dimensions (all in mm)					
Size	BXB	L	H	W	Weight (kg)
16	387	762	590	600	750
18x16	387	864	590	600	790
18	438	864	670	600	980
20x18	438	914	670	600	1030
20	489	914	750	800	1190
24x20	489	1067	750	800	1570
24	591	1067	930	800	2100

Class 300 Dimensions (all in mm)					
Size	BXB	L	H	W	Weight (kg)
16	387	838	590	600	1020
18x16	387	914	590	600	1100
18	438	914	670	600	1280
20x18	438	991	670	600	1360
20	489	991	750	800	1540
24x20	489	1143	750	800	1950
24	591	1143	930	800	2600



AV-B Series Three-Piece Trunnion Ball Valves



Class 600 Dimensions (all in mm)					
Size	BXB	L	H	W	Weight (kg)
10	248	787	460	600	600
12x10	248	838	485	600	660
12	298	838	570	800	820
14x12	298	889	570	800	1060
14	327	889	610	800	1130
16x14	327	991	610	800	1440
16	375	991	680	800	1550
18x16	375	1092	680	800	1860
18	419	1092	720	800	2100
20x18	419	1194	720	800	2400
20	464	1194	798	950	2800
24x20	464	1397	798	950	3900
24	559	1397	830	950	5300

Class 900 Dimensions (all in mm)					
Size	BXB	L	H	W	Weight (kg)
2x1 1/2"	35	368	180	240	45
2	47	368	205	240	51
3x2	47	381	205	240	57
3	73	381	220	350	88
4x3	73	457	220	350	93
4	98	457	267	440	170
6x4	98	610	267	440	230
6	146	610	350	600	390
8x6	146	737	350	600	480
8	190	737	460	600	620
10x8	190	838	460	600	670
10	238	838	572	800	820
12x10	238	965	572	800	950
12	282	965	610	800	1230