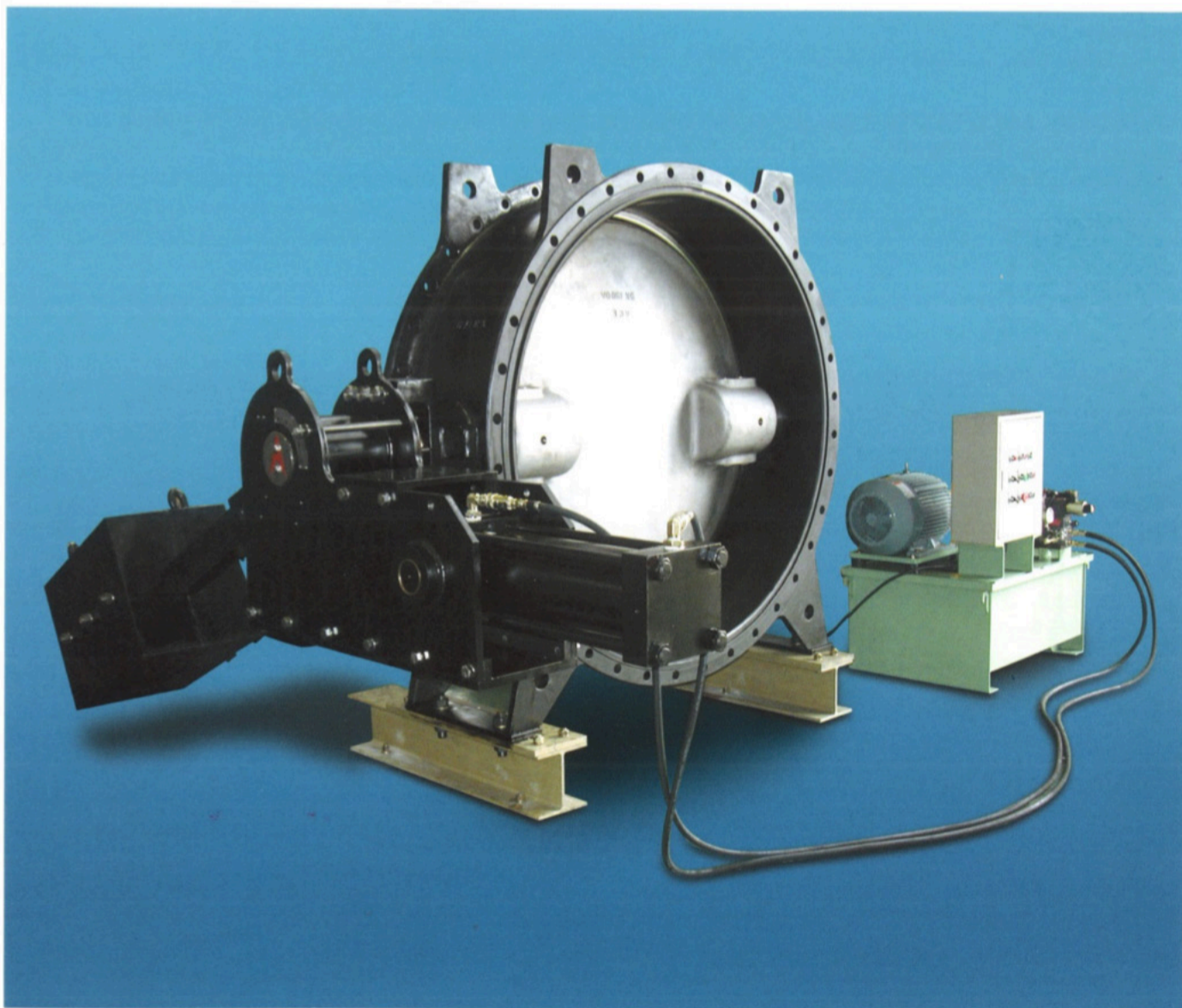




WORLD VALVE CO.,LTD

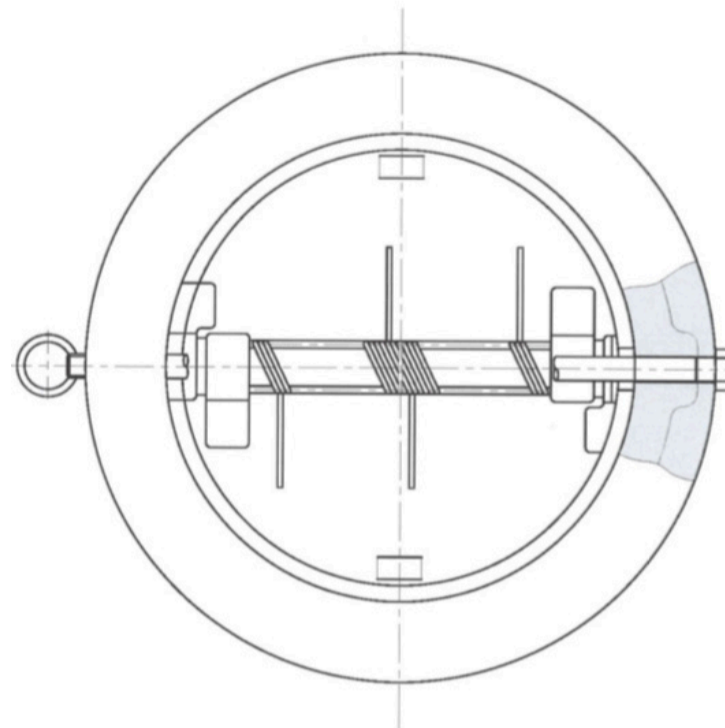
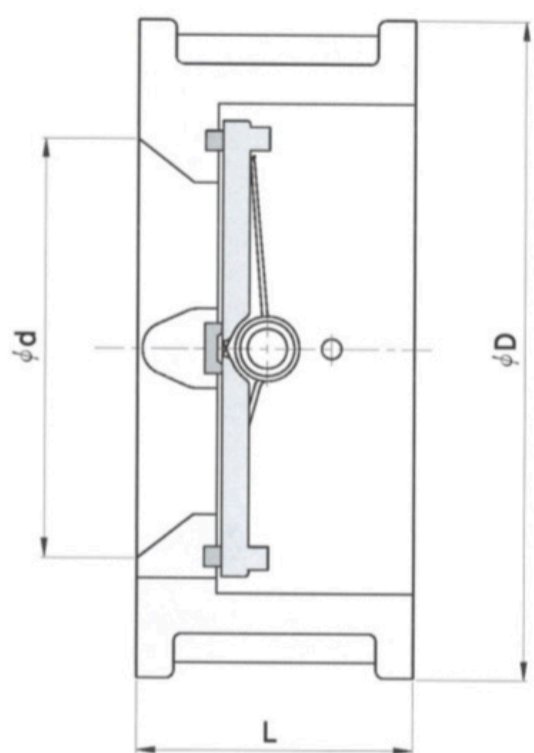
Dual Disc Wafer Check Valves



Product Information



Combined Check Valve / Dual Disc Wafer Check Valve



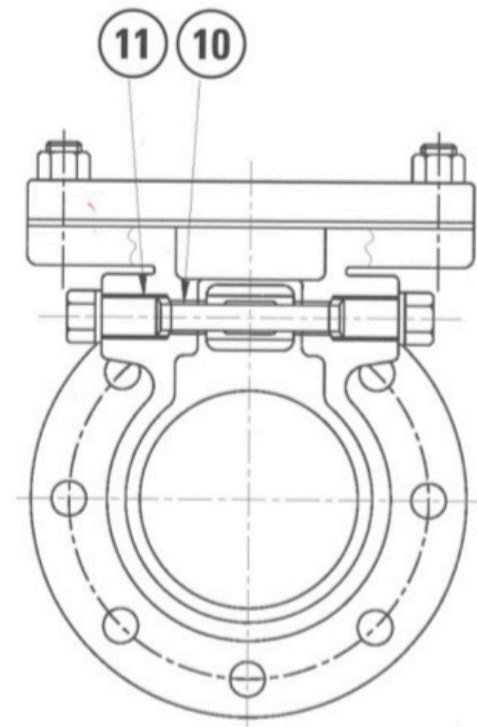
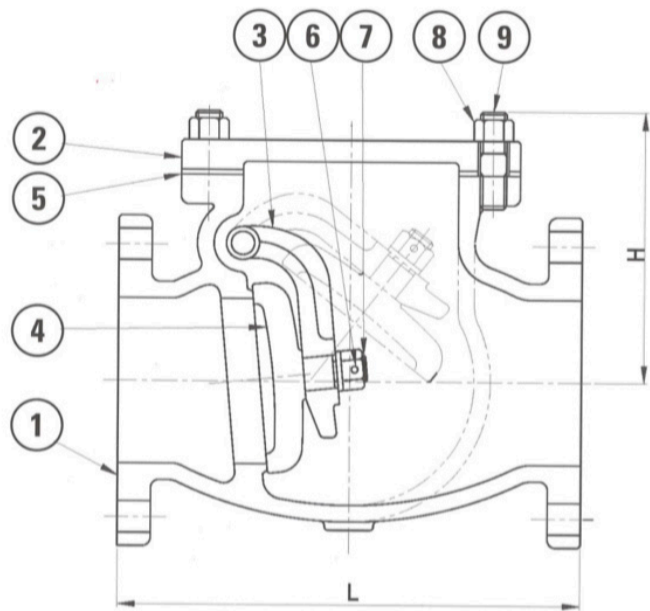
Combined Check Valve Materials		
No.	Part Name	Material
1.	Body	Cast Steel / Ductile Iron / Stainless Steel / Ni-AL Bronze
2.	Disc	Stainless Steel / Ductile Iron Ni-AL Bronze
3.	Seat	EPDM / NBR / VI-TON
4.	Retainer	Stainless Steel / Ni-AL Bronze
5.	Packing Gland	Ductile Iron / Cast Steel / Stainless Steel / Ni-AL Bronze
6.	Bottom Cover	Cast Steel / Ductile Iron Stainless Steel / Ni-AL Bronze
7.	Disc Pin	Stainless Steel
8.	Stem	Stainless Steel (304, 316, 316L, 630(17-4PH), Super Duplex, Monel)
9.	Stem Bearing	Oilless Bearing
10.	V-Packing	EPDM / NBR / VI-TON
11.	Gland Ring	Bronze
12.	Thrust Plate	Bronze
13.	Shaft O-Ring	EPDM / NBR / VI-TON
14.	Hyd' Cylinder	ASS'Y
15.	Support Bracket	Steel
16.	Counter Weight	Steel
17.	Adjust Lever	Steel
18.	Joint & Arm	Steel

Dual Disc Wafer Check Valve Materials		
No.	Part Name	Material
1.	Body	Cast Steel / Ductile Iron / Carbon Steel/ Stainless Steel / Ni-AL Bronze
2.	Dual Disc	Stainless Steel / Bronze / Ni-AL Bronze
3.	Spring	Stainless Steel
4.	Stop Pin	Stainless Steel
5.	Spring-Long	Stainless Steel
6.	Lug Bearing	TEFLON
7.	Hinge Pin	Stainless Steel
8.	PIN Retainer	Stainless Steel / Mild Steel

Dual Disk Wafer Check Valve Dimensions										
Size	ϕd	L	ϕD						L	ϕD
			JIS 5K	JIS 10K	JIS 16K	PN10	PN16	ANSI 150LB		
50A	50	60	90	101	101	109	109	105	60	111
65A	65	67	115	121	121	129	129	124	67	130
80A	80	73	126	131	137	144	144	137	73	149
100A	100	73	146	156	162	164	164	175	73	181
125A	125	86	181	187	200	194	194	197	86	216
150A	150	98	211	217	235	220	220	22	98	251
200A	200	127	257	267	280	275	275	279	127	308
250A	250	146	322	330	353	330	331	340	146	362
300A	300	181	367	375	403	380	386	410	181	422
350A	350	184	410	420	447	440	446	451	222	486
400A	400	191	470	483	507	491	498	514	232	540
450A	450	203	530	538	572	541	558	549	264	597
500A	500	219	580	593	627	596	620	606	292	654
600A	600	222	688	697	731	698	737	718	318	775



Swing Check Valves



Materials		
No.	Part Name	Material
1.	Body	Cast Iron/Carbon Steel/Stainless Steel
2.	Cover	Cast Iron/Carbon Steel/Stainless Steel
3.	Hinge Arm	Cast Iron/Carbon Steel/Stainless Steel
4.	Disc	Cast Iron/Carbon Steel/Stainless Steel
5.	Gasket	Non Asbestos
6.	Cotter Pin	Stainless Steel
7.	Disc Nut	Stainless Steel
8.	Cover Nut	Stainless Steel
9.	Cover Stud Bolt	Stainless Steel
10.	Hinge Pin	Stainless Steel
11.	Side Plug	Stainless Steel

Size	Dimensions			
	ANSI 150LB		ANSI 300LB	
	L	H	L	H
50A	203	140	267	160
65A	216	160	292	170
80A	241	170	318	185
100A	292	210	356	230
125A	330	240	400	260
150A	356	250	444	295
200A	495	280	533	345
250A	622	320	622	390
300A	698	330	711	445
350A	787	395	838	470
400A	914	450	864	510
450A	978	530	978	545
500A	978	570	1016	600
600A	1295	670	1346	690