



WORLD VALVE CO.,LTD

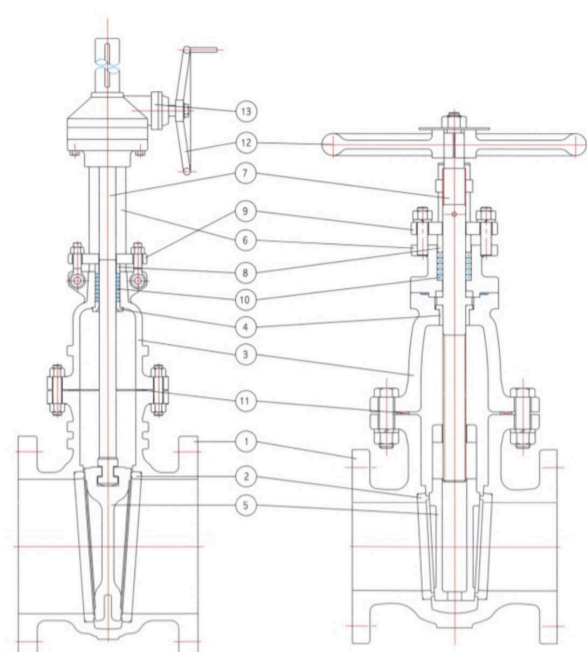
Gate and Globe Valves



Product Information

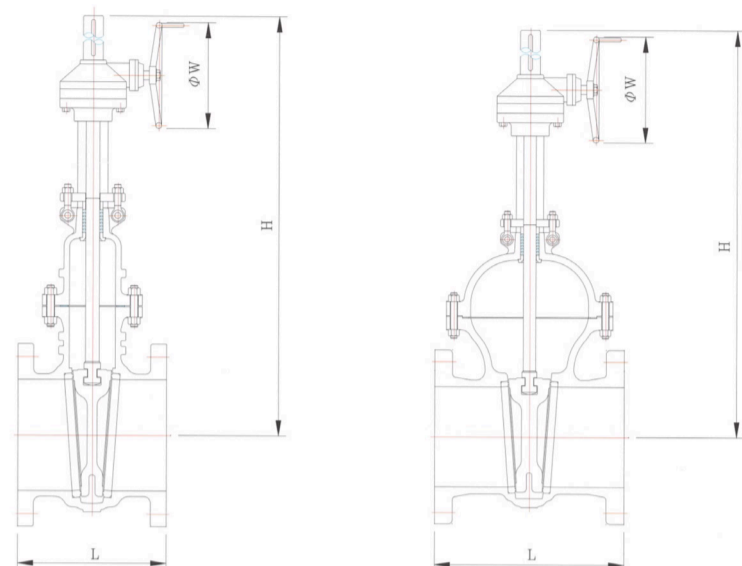


AV-SBR Series Gate Valves (Class 150 & 300)



Bolted Bonnet
Outside Screw & Yoke
(Rising Stem)

Bolted Bonnet
Inside Screw & Yoke
(Non-Rising Stem)



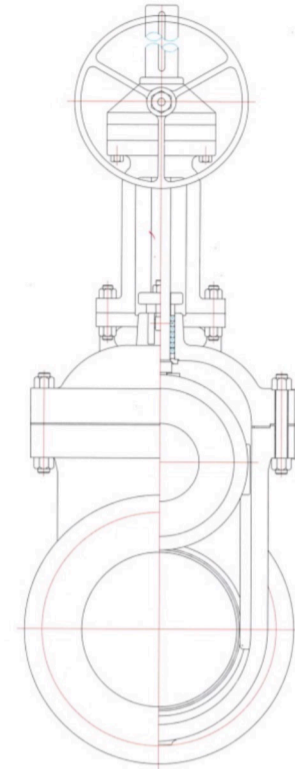
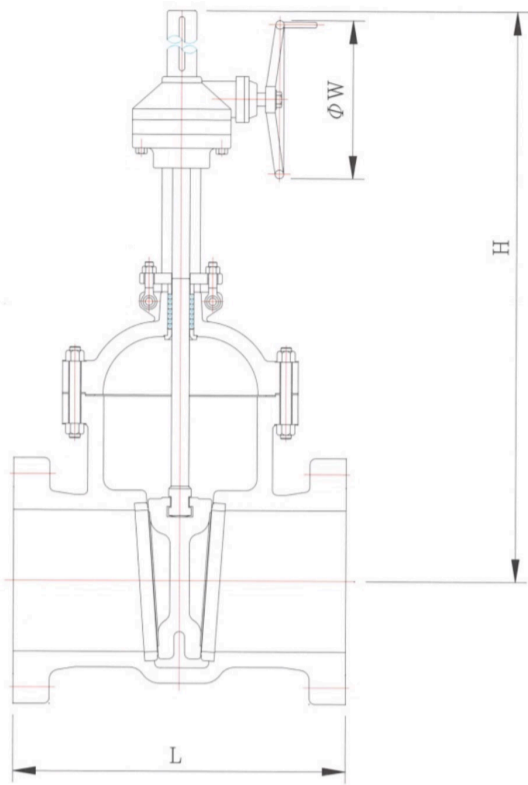
Materials (applies to all Gate Valves)		
No.	Part Name	Material
1.	Body	Cast Steel/Stainless Steel/Cast iron
2.	Body Seat Ring	Steel with 13CR. Faced/Stainless Steel
3.	Bonnet	Cast Steel/Stainless Steel
4.	Bush Ring	Steel with 13CR. Faced/Stainless Steel
5.	Disc	Steel with 13CR. Faced/Stainless Steel
6.	Yoke	Cast Steel/Stainless Steel
7.	Stem	Stainless Steel
8.	Gland Ring	Stainless Steel
9.	Packing Gland	Cast Steel/Stainless Steel
10.	Packing	Non-Asbestos
11.	Gasket	Non-Asbestos
12.	Hand Wheel	Cast Iron/Cast Steel
13.	Gear Box	ASS'Y

Class 150 Dimensions				
Size	L	H	W	Weight (kg)
50A	78	352	200	18
65A	190	433	200	26
80A	203	465	200	30
100A	229	571	250	43
150A	267	756	300	71
200A	292	940	355	110
250A	330	1183	400	165
300A	356	1330	450	240
350A	381	1541	500	380
400A	406	1818	560	540
450A	432	2221	560	730
500A	457	2531	630	850
600A	508	2865	630	1660
700A	610	3294	710	2190
750A	610	3545	710	2320
900A	711	3994	800	4430
1000A	762	4301	900	4720
1050A	813	4621	900	5750
1200A	864	5215	900	7130
1300A	914	5709	900	8600

Class 300 Dimensions				
Size	L	H	W	Weight (kg)
50A	216	386	200	23
65A	241	461	200	34
80A	282	482	250	39
100A	305	592	250	53
150A	403	783	355	121
200A	419	969	400	153
250A	457	1195	450	221
300A	502	1432	500	369
350A	762	1739	560	553
400A	838	1965	630	869
450A	914	2272	630	1203
500A	991	2423	630	1359
600A	1143	2789	710	2019
700A	1346	3462	710	3119
750A	1397	3511	800	4019
900A	1727	3981	900	5929
1000A	1930	4799	900	6200
1050A	1981	4444	900	900
1200A	2215	5535	900	9020



AV-SBR Series Gate Valves (Class 600, 900, & 1500)



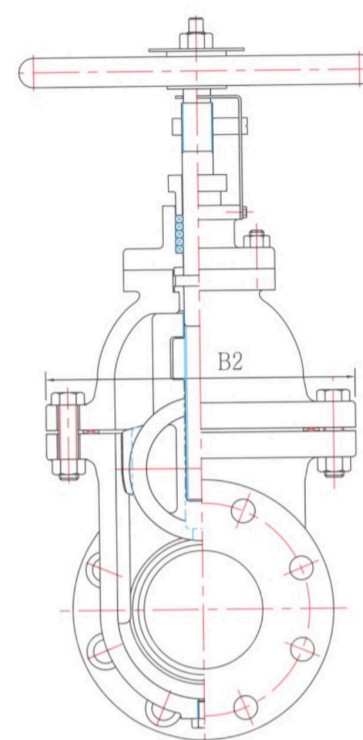
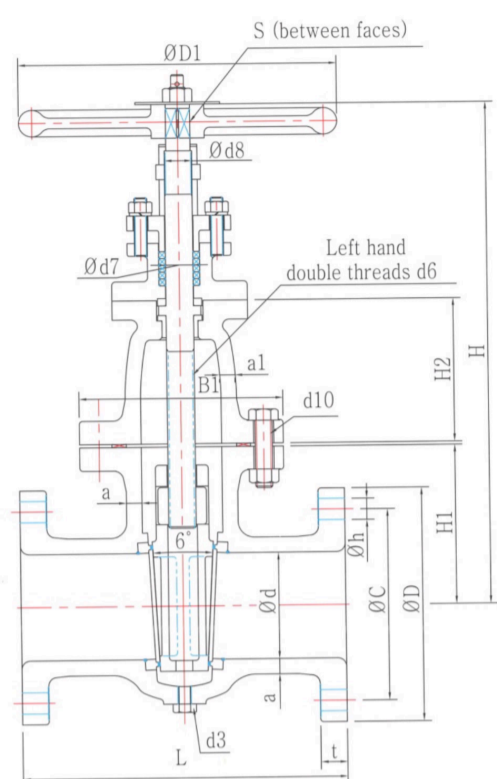
Class 600 Dimensions				
Size	L	H	W	Weight (kg)
50A	292	482	250	31
65A	330	499	250	49
80A	356	561	250	62
100A	432	687	355	106
150A	559	962	400	207
200A	660	1092	450	316
250A	787	1268	500	539
300A	838	1706	560	978
350A	889	1860	630	1125
400A	991	2148	630	1619
450A	1092	2619	710	2043
500A	1194	2753	710	2789
600A	1397	2833	900	4163
700A	1549	3277	900	5539
750A	1651	3532	900	6029
900A	2083	4569	900	8149
1000A	2387	5280	900	8546
1050A	2438	6105	900	9781

Class 900 Dimensions				
Size	L	H	W	Weight (kg)
50A	368	539	355	63
65A	419	675	400	133
80A	381	686	400	138
100A	457	788	450	140
150A	610	895	500	376
200A	737	2145	560	699
250A	838	1816	630	1199
300A	965	1929	710	1293
350A	1029	1842	900	1896
400A	1130	2039	900	2673
450A	1219	2199	900	3321
500A	1321	2812	900	4060
600A	1549	3159	900	6132

Class 1500 Dimensions				
Size	L	H	W	Weight (kg)
50A	368	544	355	85
65A	419	651	400	160
80A	470	725	450	172
100A	546	795	500	261
150A	705	1258	560	605
200A	832	1625	630	1492
250A	991	1625	710	1996
300A	1130	2103	900	3831
350A	1257	2204	900	4125
400A	1384	2495	900	6967
450A	1537	2754	900	8898
500A	1664	3058	900	11059
600A	1943	3685	900	16158



AV-SBN Series Gate Valves (JIS 10K)

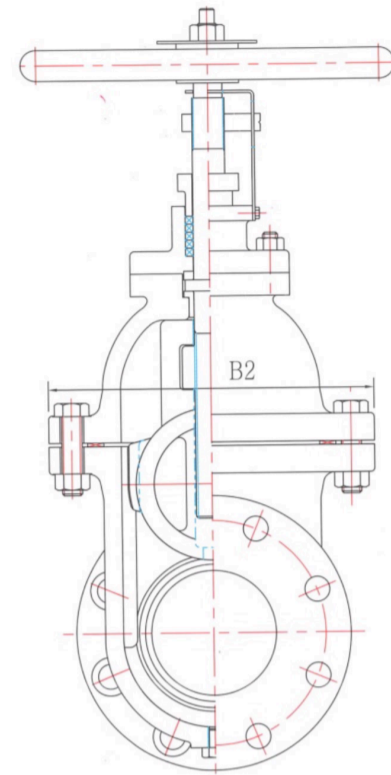
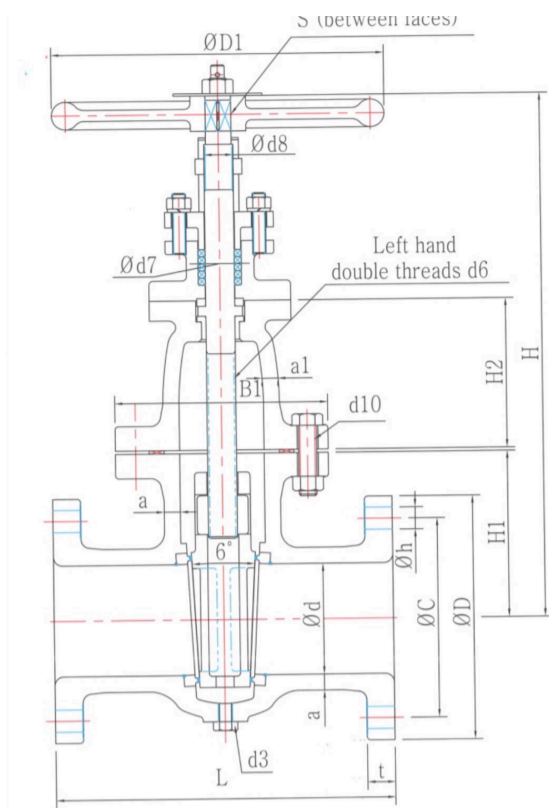


Dimensions

Nominal diameter	d	L	Flange			H (Approx.)	I (Lift)	D1 (handwheel)	Body and Bonnet												Stem			d7 Stuffing box	Weight (kg)	
			D	Bolt Hole					Nominal diameter of bolt	t	a	a1	H1	H2	B1	B2	B3	B4	Bolt		d6 (Threads)	d8	S			
				C	No.														h	No.						d10
50	50	200	155	120	4	19	M16	20	300	58	140	9	8	85	91	150	160	-	-	8	M12	TW18	18	12	28	19.4
65	65	220	175	140	4	19	M16	22	350	74	160	10	9	95	115	167	192	-	-	8	M12	TW20	20	14	32	27.6
80	80	230	185	150	8	19	M16	22	400	89	180	10	9	120	122	175	212	-	-	8	M16	TW22	22	14	36	33.0
100	100	250	210	175	8	19	M16	24	450	110	200	11	10	140	141	195	245	-	-	8	M16	TW24	24	17	38	45.8
125	125	270	250	210	8	23	M20	24	520	136	224	13	11	160	171	215	285	-	-	8	M20	TW26	26	19	42	65.9
150	150	290	280	240	8	23	M20	26	580	160	250	14	12	180	194	228	320	-	-	8	M20	TW28	28	22	44	86.0
200	200	320	330	290	12	23	M20	26	700	212	315	16	14	220	248	265	400	-	-	12	M20	TW32	32	22	50	136.0
250	250	380	400	355	12	25	M22	30	840	264	400	18	16	255	319	320	488	-	-	12	M22	TW38	38	30	60	230.0
300	300	440	445	400	16	25	M22	32	960	315	450	20	18	290	377	350	560	375	585	16	M22	TW42	42	30	66	331.0
350	335	500	490	445	16	25	M22	34	1050	352	500	22	19	315	418	375	615	415	655	14	M24	TW44	44	32	68	433.0
400	380	590	560	510	16	27	M24	36	1150	396	560	24	21	350	464	415	690	475	750	16	M24	TW48	48	36	74	597.0



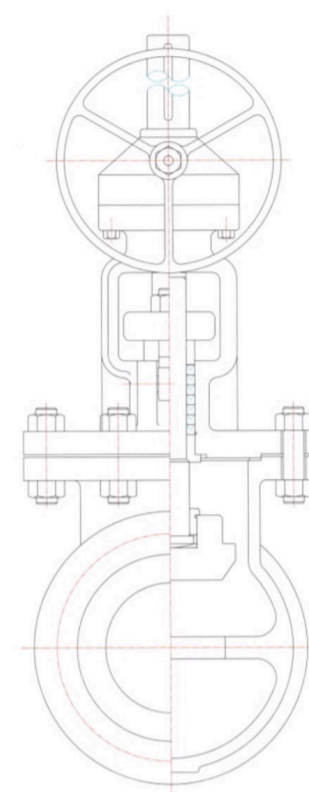
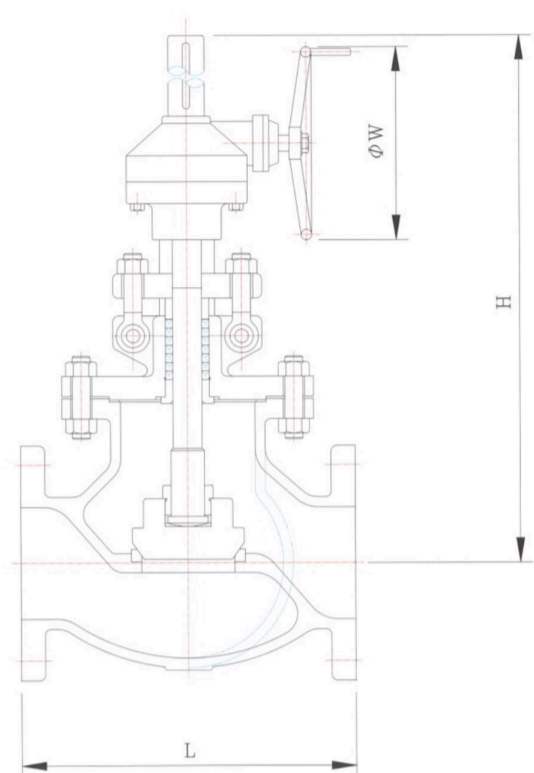
AV-SBN Series Gate Valves (JIS 16K)



Dimensions																								
Nominal diameter	d	L	Flange						H (Approx.)	l (Lift)	D1 (handwheel)	Body and Bonnet								Stem			d7 Stuffing box	Weight (kg)
			D	Bolt Hole			Nominal diameter of bolt	t				a	a1	H1	H2	B1	B2	Bolt		d6 (Threads)	d8	S		
				C	No.	h												No.	d10					
50	50	200	155	120	8	19	M16	20	300	58	140	9	8	85	91	150	160	8	M12	TW18	18	12	28	22.3
65	65	220	175	140	8	19	M16	22	350	74	160	10	9	95	115	167	192	8	M16	TW20	20	14	32	32.5
80	80	230	200	160	8	23	M20	24	400	89	180	10	9	120	122	175	212	8	M16	TW22	22	14	36	38.7
100	100	250	225	185	8	23	M20	26	450	110	200	11	10	140	141	195	245	8	M16	TW24	24	17	38	51.2
125	125	270	270	225	8	25	M22	26	520	136	224	13	11	160	171	215	285	8	M20	TW26	26	19	42	72
150	150	290	305	260	12	25	M22	28	580	160	250	14	12	180	194	228	320	8	M20	TW28	28	22	44	98.4
200	200	320	350	305	12	25	M22	30	700	212	315	16	14	220	248	265	400	12	M20	TW32	32	22	50	147
250	250	380	430	380	12	27	M24	34	840	264	400	18	16	255	319	320	488	12	M22	TW38	38	30	60	245



AV-GBI Series Globe Valves (Class 150 & 300)



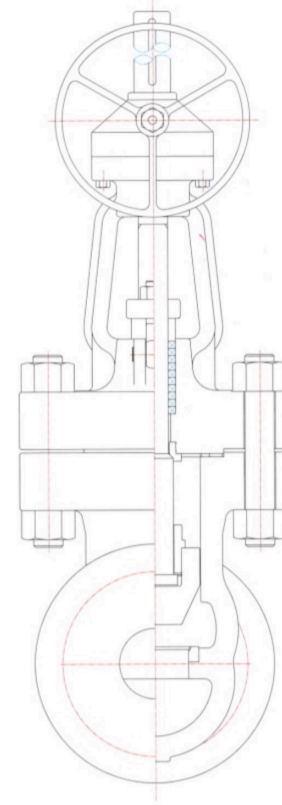
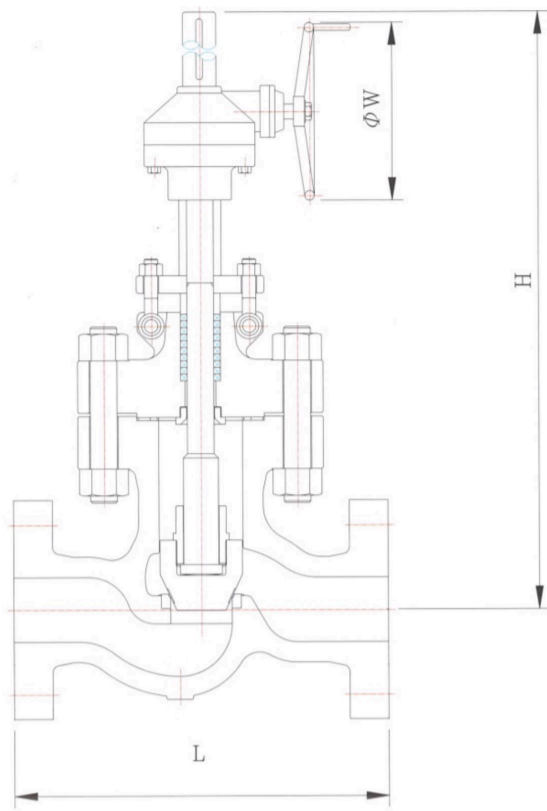
Materials		
No.	Part Name	Material
1.	Body	Cast Steel/Stainless Steel/Cast Iron
2.	Body Seat Ring	Steel with 13CR. Faced/Stainless Steel
3.	Bonnet	Cast Steel/Stainless Steel
4.	Bush Ring	Steel with 13CR. Faced/Stainless Steel
5.	Disc	Steel with 13CR. Faced/Stainless Steel
6.	Yoke	Cast Steel/Stainless Steel
7.	Stem	Stainless Steel
8.	Gland Ring	Stainless Steel
9.	Packing Gland	Cast Steel/Stainless Steel
10.	Packing	Non-Asbestos
11.	Gasket	Non-Asbestos
12.	Hand Wheel	Cast Iron/Cast Steel
13.	Gear Box	ASS'Y

Class 150 Dimensions				
Size	L	H	W	Weight (kg)
50A	203	401	200	22
65A	216	403	250	37
80A	241	438	250	42
100A	292	506	250	59
150A	406	589	355	108
200A	495	721	355	192
250A	622	799	450	299
300A	699	1020	500	416
350A	787	1355	710	669
400A	914	1452	710	897
450A	978	1995	900	1745
500A	978	2212	900	1892
600A	1295	2421	900	2105

Class 300 Dimensions				
Size	L	H	W	Weight (kg)
50A	267	403	250	29
65A	292	432	250	35
80A	318	463	250	54
100A	356	556	355	83
150A	444	751	450	162
200A	559	813	560	229
250A	622	1182	710	518
300A	711	1293	900	928
350A	838	1592	900	1029
400A	914	1642	900	1542



AV-GBI Series Globe Valves (Class 600, 900 & 1500)



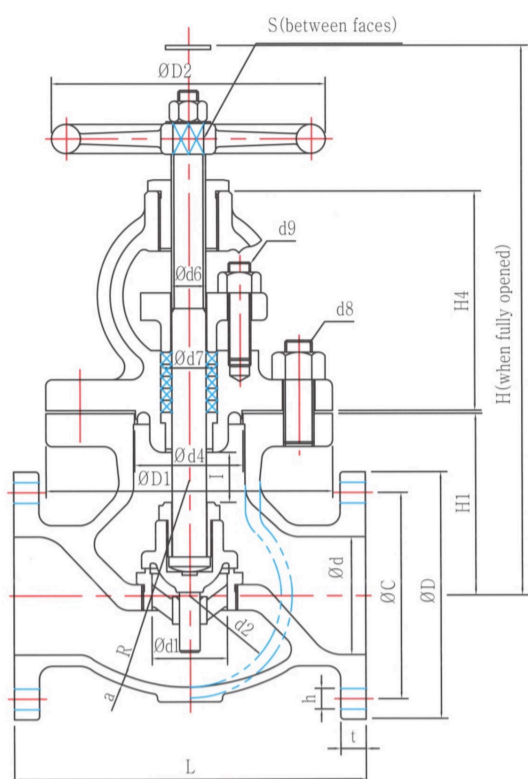
Class 600 Dimensions				
Size	L	H	W	Weight (kg)
50A	292	430	250	32
65A	330	432	355	35
80A	356	535	355	49
100A	432	611	450	101
150A	559	799	560	189
200A	660	1312	710	510
250A	787	1712	900	799
300A	838	1853	900	1599
350A	889	1867	900	2512
400A	991	1912	900	3362

Class 900 Dimensions				
Size	L	H	W	Weight (kg)
50A	368	701	355	73
65A	419	711	400	124
80A	381	771	400	139
100A	457	886	450	151
150A	610	1380	560	328
200A	737	1721	710	1112
250A	838	1769	900	1875
300A	965	1778	900	2412
350A	1029	2219	900	3356
400A	1130	2629	900	3912

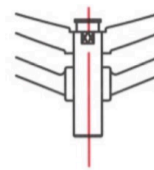
Class 1500 Dimensions				
Size	L	H	W	Weight (kg)
50A	368	689	355	100
65A	419	692	400	120
80A	470	789	450	190
100A	546	1125	500	279
150A	705	1355	560	551
200A	832	1995	630	1859
250A	991	2305	710	2788
300A	1130	2657	900	3795
350A	1257	3205	900	4758
400A	1384	4022	900	5867



AV-GBM Series Globe Valves (JIS 5K)

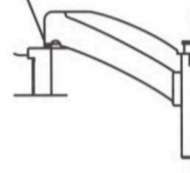


For nominal dia. 250 or more



For disc and valve seat of SC480

Deposited with stainless steel

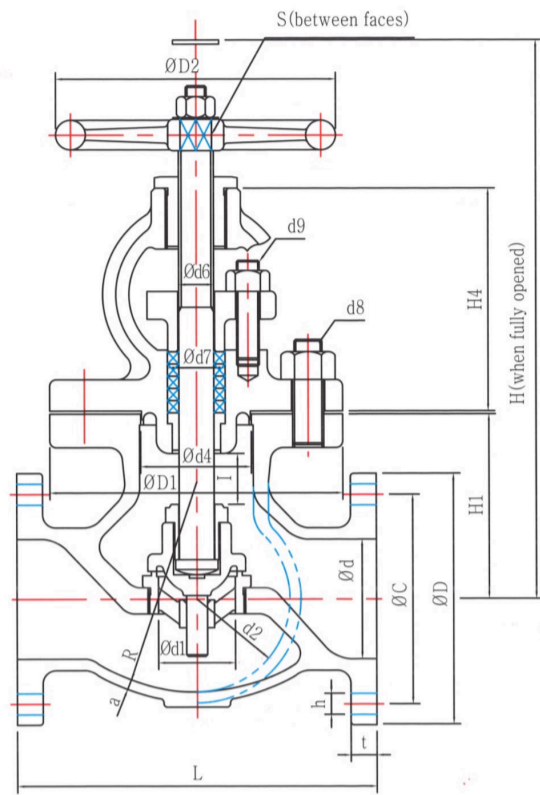


Dimensions

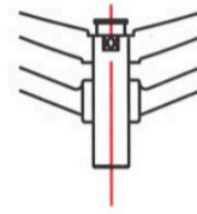
Nominal diameter	d	d1	L	Flange						H (Height fully opened)	l (Lift)	D2 (handwheel)	Body						H4 (Height of bonnet)	Stem			Threads		Weight (kg)
				D	C (P.C. Diameter)	No.	h	Nominal diameter of bolt	t				d2	a	R	H1	D1	d4		d6 (Threads)	s	d7 (Stuffing box)	d10	d11	
50	50	58	210	130	105	4	15	M12	16	270	17	160	110	8	110	90	140	78	120	TW20	14	32	M12	M12	14.7
65	65	73	250	155	130	4	15	M12	18	300	22	180	135	9	135	105	160	95	128	TW22	14	36	M12	M12	21.3
80	80	88	280	180	145	4	19	M16	18	310	27	180	160	9	160	110	190	110	128	TW22	14	36	M16	M12	27.7
100	100	111	340	200	165	8	19	M16	20	360	33	224	195	10	195	125	215	135	148	TW26	19	42	M16	M12	40.8
125	125	138	410	235	200	8	19	M16	20	390	42	250	240	11	240	145	245	165	148	TW28	22	44	M16	M12	57.6
150	150	163	480	265	230	8	19	M16	22	445	50	280	280	12	280	165	270	190	168	TW32	22	50	M16	M16	80.3
200	200	213	570	320	280	8	23	M20	24	530	67	315	365	15	365	210	335	240	185	TW36	27	56	M20	M16	139



AV-GBM Series Globe Valves (JIS 10K)

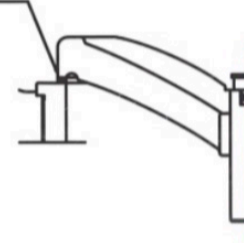


For nominal dia. 250 or more



For disc and valve seat of SC480

Deposited with stainless steel

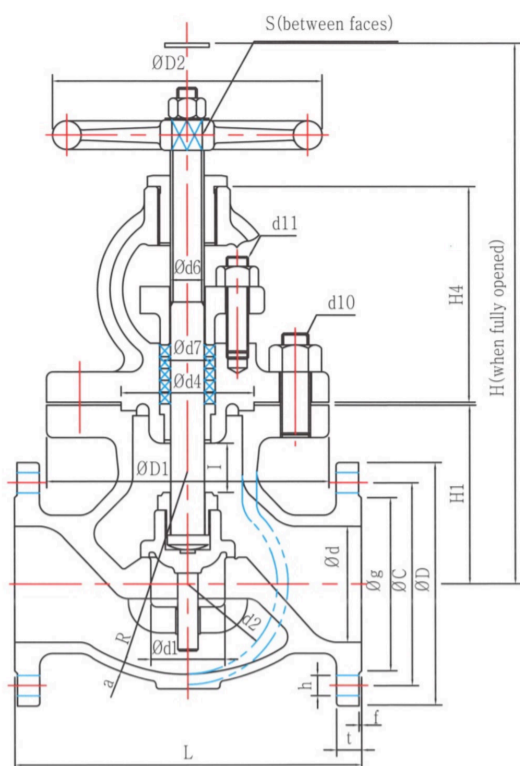


Dimensions

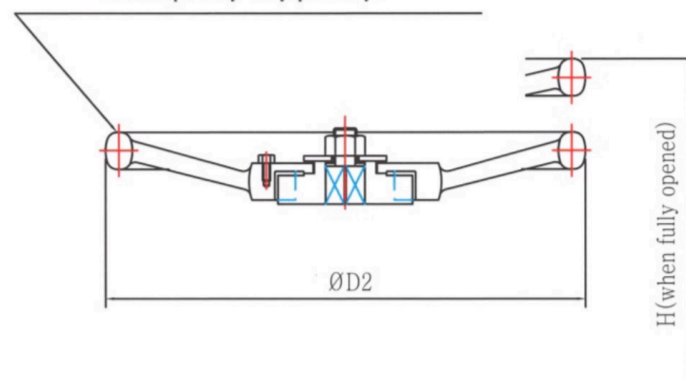
Nominal diameter	d	d1	L	Flange							H (Height fully opened)	l (Lift)	D2 (handwheel)	Body						H4 (Height of bonnet)	Stem		Threads		Weight (kg)
				D	Bolt Hole			Nominal diameter of bolt	t	d2				a	R	H1	D1	d4	d6 (Threads)		s	d7 (Stuffing box)	d10	d11	
					C (P.C. Diameter)	No.	h																		
50	50	58	220	155	120	4	19	M16	16	270	17	160	110	8	110	90	155	78	120	TW22	14	36	M16	M12	17.9
65	65	73	270	175	140	4	19	M16	18	300	22	200	135	9	135	100	175	95	128	TW24	17	38	M16	M12	26.0
80	80	88	300	185	150	8	19	M16	18	310	27	200	160	9	160	105	190	110	128	TW24	17	38	M16	M12	29.8
100	100	111	350	210	175	8	19	M16	18	355	33	250	195	11	195	125	215	135	142	TW28	22	44	M16	M12	44.7
125	125	138	420	250	210	8	23	M20	20	415	42	280	240	12	240	150	260	165	165	TW32	22	50	M20	M16	70.3
150	150	163	490	280	240	8	23	M20	22	470	50	315	280	13	280	170	285	190	185	TW36	27	56	M20	M16	96.4
200	200	213	570	330	290	12	23	M20	22	565	67	355	365	15	365	210	335	240	218	TW42	30	66	M20	M16	159.0
250	250	265	740	400	355	12	25	M22	24	645	83	400	470	16	470	259	405	300	225	TW44	32	68	M22	M20	257.0
300	300	315	840	445	400	16	25	M22	24	735	100	450	550	17	550	300	460	355	249	TW48	36	74	M22	M20	370.0



AV-GBM Series Globe Valves (JIS 20K)



Hand wheel shall be of hammer blow type.
It's shape may vary partially.



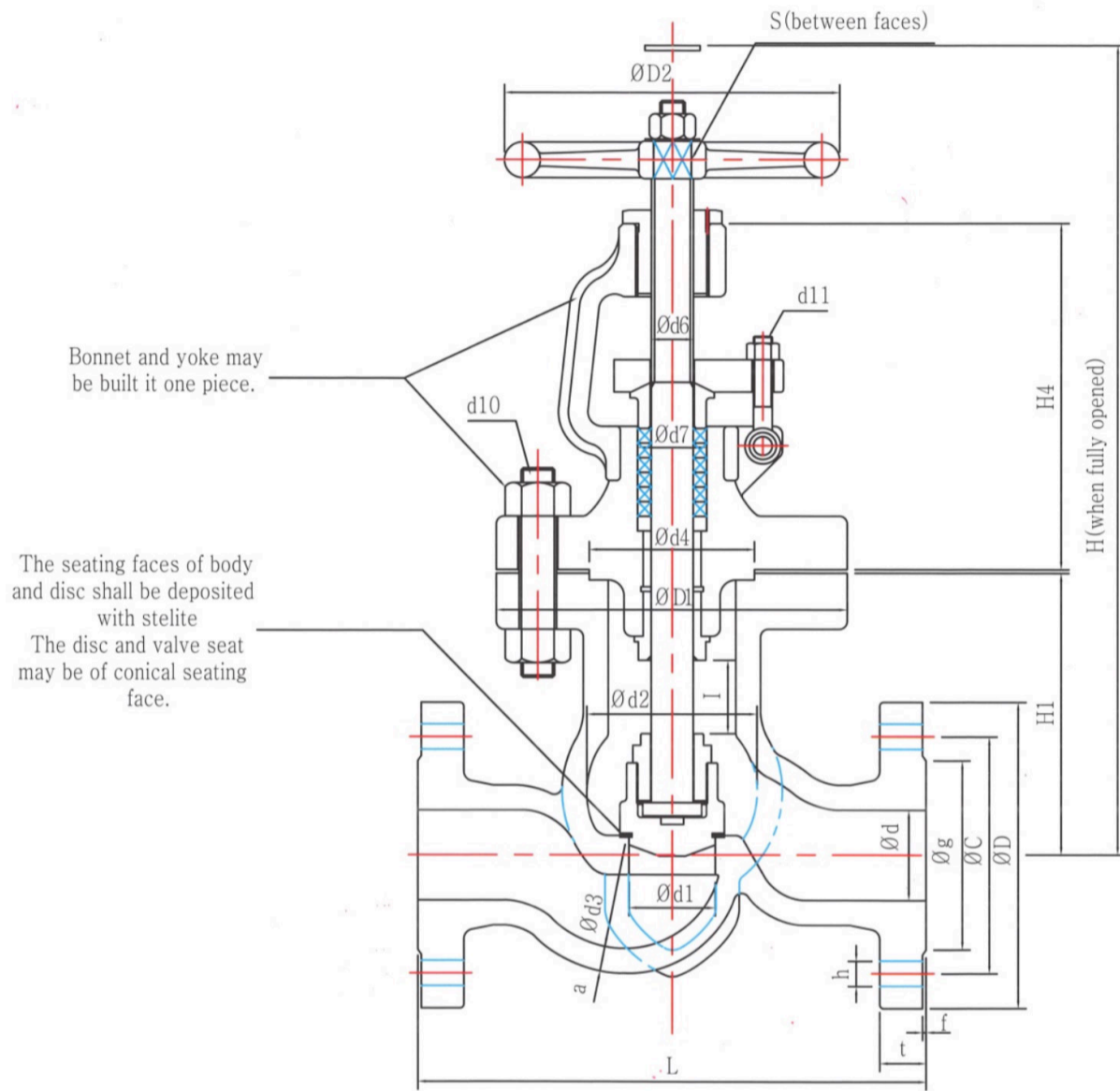
For nominal dia, 150 or more

Dimensions

Nominal diameter	d	d1	L	Flange									H (Height fully opened)	I (Lift)	D2 (handwheel)	Body						H4 (Height of bonnet)	Stem		Threads		Weight (kg)
				D	Bolt Hole			Nominal diameter of bolt	t	f	g	d2				a	R	H1	D1	d4	d6 (Threads)		S	d7 (Stuffing box)	d10	d11	
					C (P.C. Diameter)	No.	h																				
50	50	50	230	155	120	8	19	M16	18	2	100	305	17	200	110	9	110	105	160	95	128	TW24	17	38	M16	M12	21.6
65	65	65	270	175	140	8	19	M16	20	2	120	345	22	224	135	10	135	125	175	115	138	TW26	19	42	M16	M12	30.4
80	80	80	300	200	160	8	23	M20	22	2	135	385	27	250	160	11	160	140	205	135	152	TW30	22	48	M20	M12	43.5
100	100	100	350	225	185	8	23	M20	24	2	160	440	33	280	195	13	195	165	225	155	168	TW34	22	54	M20	M16	62.3
125	125	125	430	270	225	8	25	M22	26	2	195	500	42	315	240	14	240	185	270	190	192	TW38	27	60	M22	M16	95.7
150	150	150	500	305	260	12	25	M22	28	2	230	550	50	355	280	16	280	205	295	215	212	TW42	30	66	M22	M16	133.3
200	200	200	560	350	305	12	25	M22	30	2	275	630	67	450	350	17	350	225	350	270	240	TW50	-	78	M22	M20	296.1
250	250	250	660	430	380	12	27	M24	34	2	345	725	83	560	430	19	405	265	405	320	267	TW58	-	88	M24	M22	339.1



AV-GBM Series Globe Valves (JIS 40K)



Dimensions

Nominal diameter	d	d1	L	Flange								H (Height fully opened)	I (Lift)	D2 (handwheel)	Body						H4 (Height of bonnet)	Stem			Threads		Weight (kg)
				D	Bolt Hole			Nominal diameter of bolt	t	f	g				d2	a	R	H1	D1	d4		d6 (Threads)	s	d7 (Stuffing box)	d10	d11	
					C (P.C. Diameter)	No.	h																				
50	50	50	292	165	130	8	19	M16	26	2	105	435	28	224	105	12	60	145	190	90	210	TW26	19	42	M20	M16	41.0
65	62	62	330	200	160	8	23	M20	30	2	130	490	35	250	125	13	76	160	215	110	237	TW30	22	48	M22	M16	62.3
80	75	75	356	210	170	8	23	M20	32	2	140	540	39	315	140	14	93	175	235	125	263	TW34	27	54	M22	M16	79.0
100	100	100	432	250	205	8	25	M22	36	2	165	640	50	400	180	17	122	205	280	150	374	TW40	-	62	M24	M20	140.0
125	120	120	508	300	250	8	27	M24	40	2	200	720	58	450	210	18	148	230	305	175	426	TW46	-	72	M24	M20	197.0
150	145	145	559	355	295	12	33	M30	44	2	240	815	68	500	250	20	180	265	355	200	479	TW52	-	78	M30	M22	298.0