

3Way Rotary Valve



K3R-CN

It is available use to temperature control for freezing and heating system. Operation part's actuator operated detail acting to valve with pneumatic Electric cylinder operating. So it can control accuracy. And it is economical. It can divide to way to establishment.

• FEATURE

1. Large capacity has compared with equal size.
2. Size small and easy Installation.
3. Emergency operating is possible with emergency handle devices.
4. Correctness temperature maintenance.

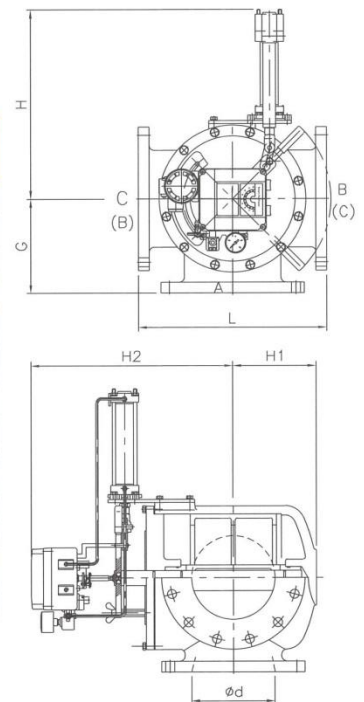
Specification

Model		K3R-CN
Type	Pneumatic Cylinder Positioner	
Applicable Fluids	Water, Oil	
Applicable Press. / Temp.	Max. 10 kgf/cm ² / 80°C	
Operation	Dividing	(A) Inlet / (B) By-Pass / (C) Cooler
	Mixing	(A) Outlet / (B) By-Pass / (C) Cooler
Material	Body	Ductile Cast Iron, Bronze
	Trim	Bronze
Air supply press.	1.4 kgf/cm ²	
Rangeability	30 : 1	
Flow characteristics	Linear, On-Off	
Size	80 ~ 600mm	
Accessories	<ul style="list-style-type: none"> • Controller(E/P, P/P) • Positioner(E/P, P/P) • Sensor(Temp.) • Air Set 	

Dimensions

Size mm(inch)	d	L	H	H1	H2	G	Weight Abt(Kg)
80(3")	80	292	146	418	140	330	70
100(4")	100	296	148	418	145	340	75
125(5")	125	332	166	418	170	365	105
150(6")	150	362	181	418	180	395	121
200(8")	200	450	225	522	190	485	155
250(10")	250	516	258	547	205	510	252
300(12")	300	660	330	590	300	545	384
350(14")	350	706	353	625	310	560	432
400(16")	400	820	410	647	388	635	495
450(18")	450	960	480	647	425	670	650
500(20")	500	1024	512	722	435	685	695
550(22")	550	1090	545	866	540	840	1100
600(24")	600	1200	600	1021	650	1010	1250

(mm)



- Notes : 1. Also available in JIS, DIN and ANSI. For all other standards please consult factory.
 2. Weights(Ductile Cast Iron) are approximate and applied JIS 10K.
 3. The flanges shall conform by JIS B2220.

3Way Rotary Valve

It is available to use to temperature control for freezing and heating system. Operation part's actuator operated detail acting to valve with electric motor type so it can controlled accuracy. It can divide to way to establishment.

• FEATURE

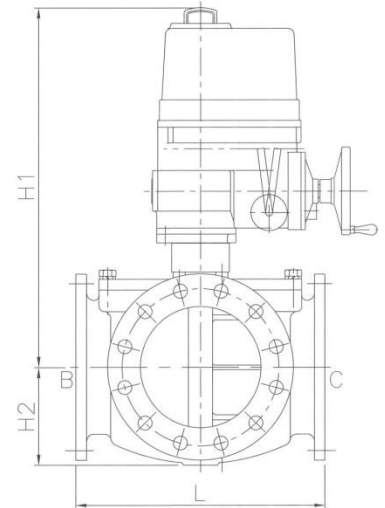
1. Large capacity have compared with equal size.
2. Size small and easy Installation.
3. Emergency operating is possible with emergency handle devices.
4. Correctness temperature maintenance.
5. Installation is easy at operation only electric supply.



K3R-MO

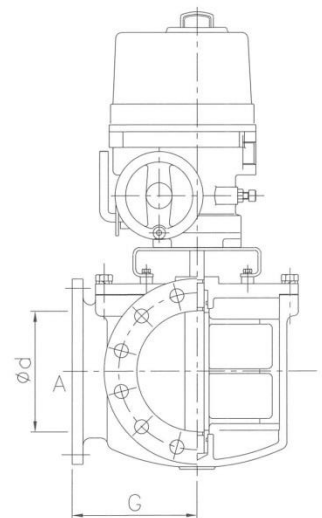
Specification

Model		K3R-MO
Type	Electric Motor	
Applicable Fluids	Water, Oil	
Applicable Press. / Temp.	Max.10 kgf/cm ² / 80	
Power Supply / Input Signal	110V, 220 V / 4~20mA	
Operation	Dividing	(A) Inlet / (B) By-Pass / (C) Cooler
	Mixing	(A) Outlet / (B) By-Pass / (C) Cooler
Material	Body	Ductile Cast Iron, Bronze
	Trim	Bronze
Rangeability	30 : 1	
Flow characteristics	Linear	
Size	80 ~ 600mm	
Accessories	E/P Controller(P.I., P.I.D) Sensor(Temp.)	



Dimensions

Size mm(inch)	d	L	G	H1	H2	Weight Abt(Kg)
80(3")	80	292	146	470	145	50
100(4")	100	296	148	483	145	58
125(5")	125	332	166	483	170	84
150(6")	150	362	181	497	180	108
200(8")	200	450	225	530	220	148
250(10")	250	516	258	550	260	204
300(12")	300	660	330	571	272	292
350(14")	350	706	353	600	285	358
400(16")	400	820	410	710	388	495
450(18")	450	960	480	760	388	615
500(20")	500	1024	512	800	470	730
550(22")	550	1090	545	1000	590	1150
600(24")	600	1200	600	1250	690	1310



- Notes :
1. Also available in JIS, DIN and ANSI. For all other standards please consult factory.
 2. Weights(Ductile Cast Iron) are approximate and applied JIS 10K.
 3. The flanges shall conform by JIS B2220.